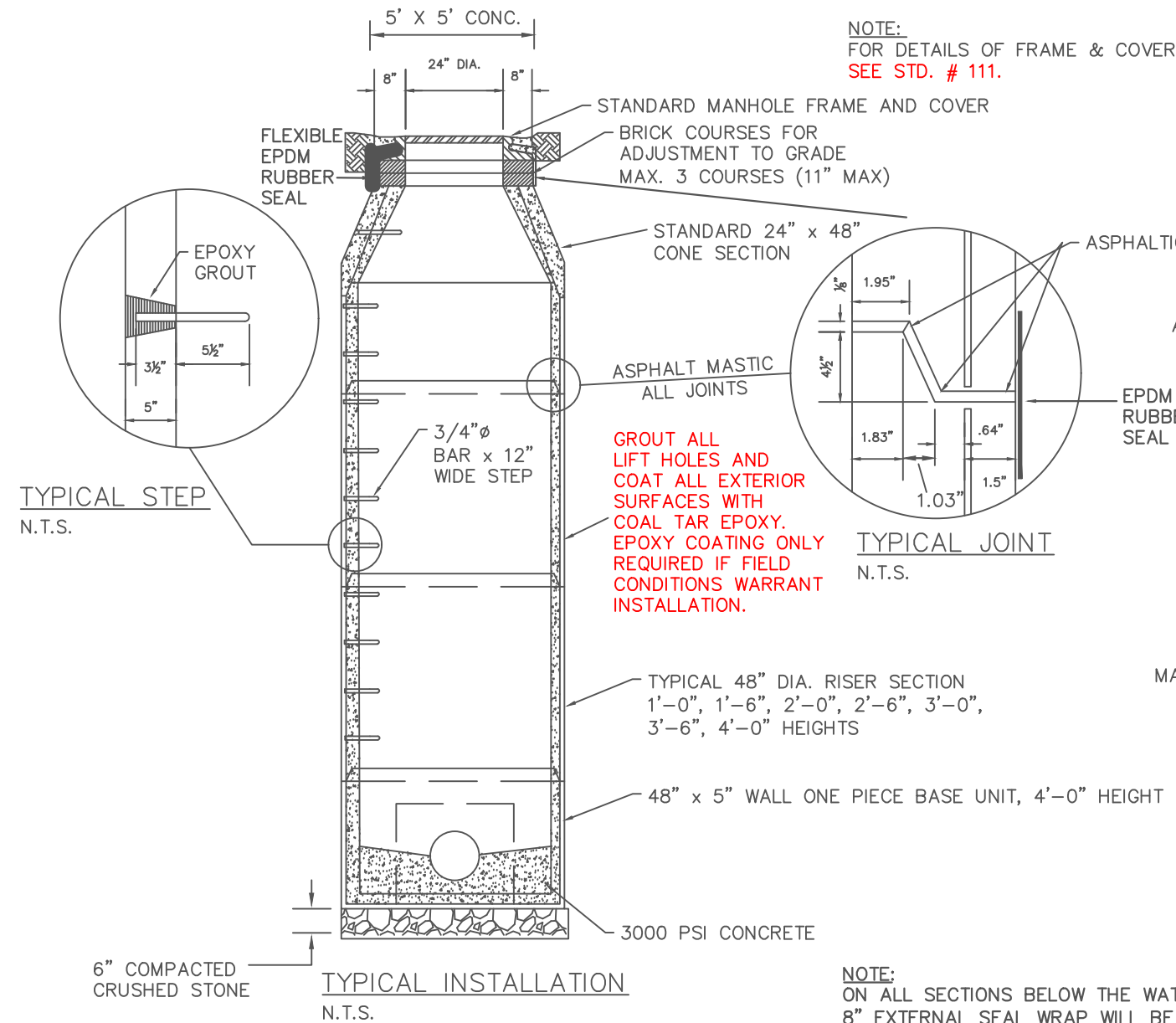
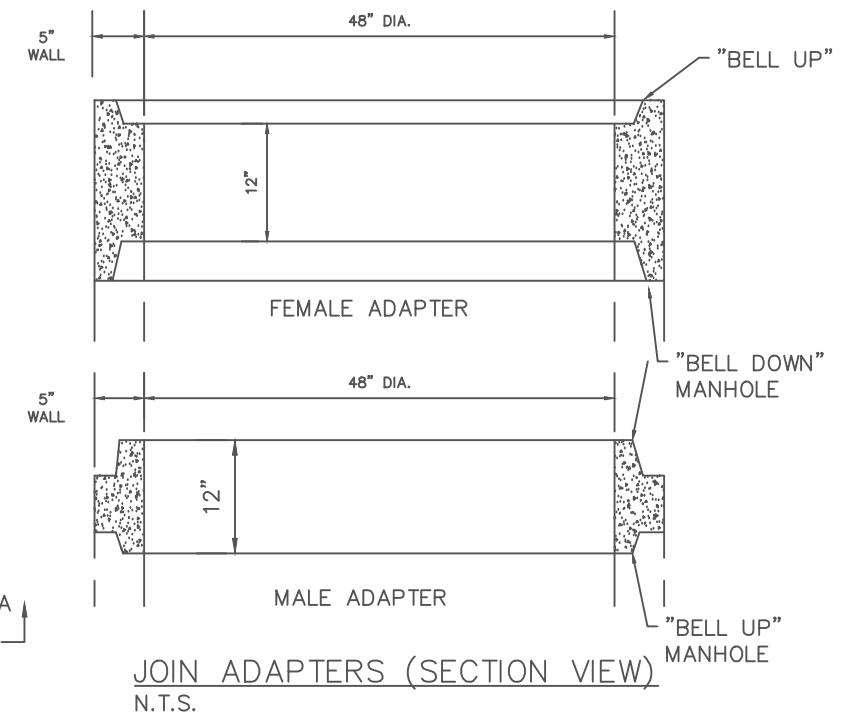


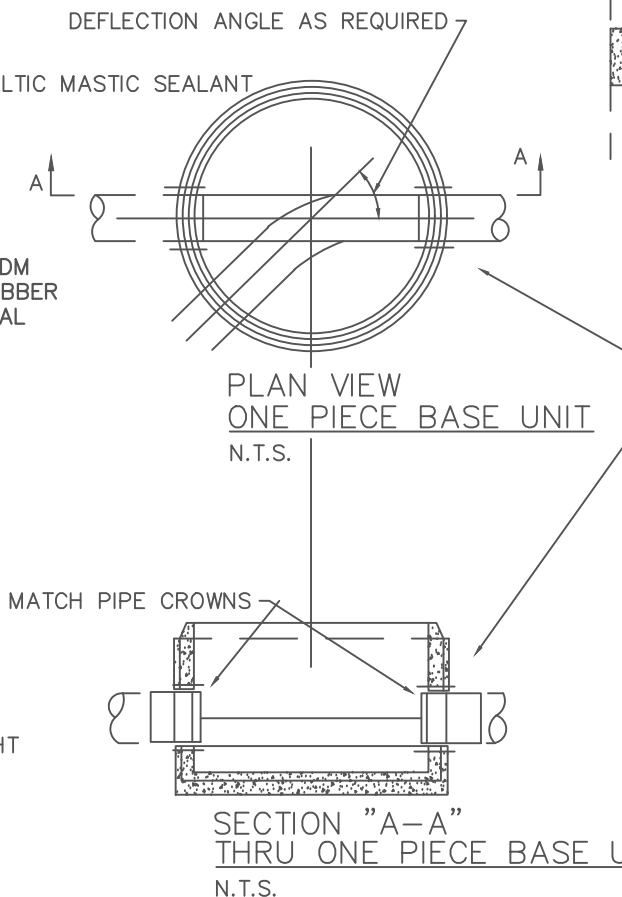
**NOTES:**


1. ALL HOLES MUST BE PRECAST.
2. MAXIMUM HOLE SIZE = PIPE O.D. + 4"
3. USE CONCENTRIC CONIC SECTIONS IN RIGHT-OF-WAY.
4. OUTFALL MANHOLES MUST HAVE CAST IN PLACE RINGS.
5. SEE STANDARD NO. 112 FOR MANHOLE DEPTH GREATER THAN 20'.

**NOTE:**  
FOR DETAILS OF FRAME & COVER  
SEE STD. # 111.



**NOTE:**  
ON ALL SECTIONS BELOW THE WATER TABLE  
8" EXTERNAL SEAL WRAP WILL BE REQUIRED.



FULTON COUNTY STANDARD DETAIL 113 MANHOLES PRECAST DETAILS		DATE 8/08 1/18	REVISIONS NRR TPM		DATE REVISIONS	DGS/DRN/CHKD: REB APPROVED: REW DATE: 12-2-05	 FULTON COUNTY	FULTON COUNTY PUBLIC WORKS 141 PRYOR ST. ATLANTA, GA. 30303 404-612-7400 FAX: 404-224-0498	DRAWING NO. 113
	FULTON COUNTY								