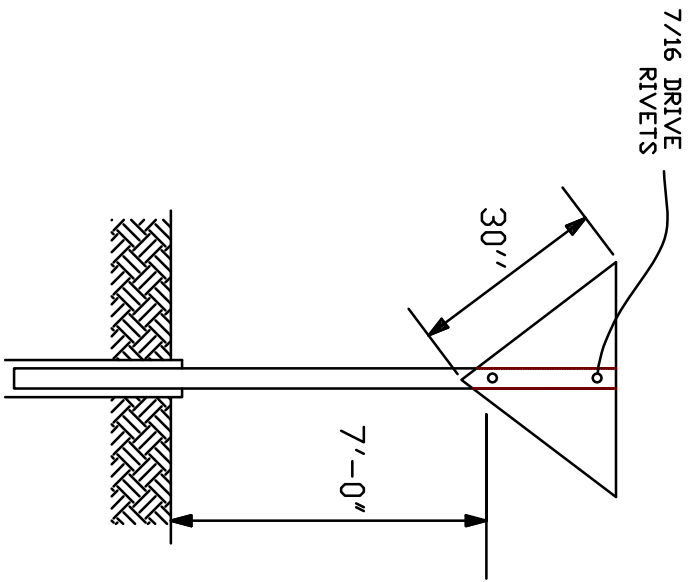
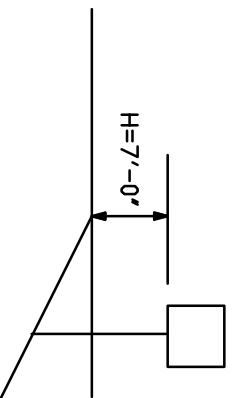
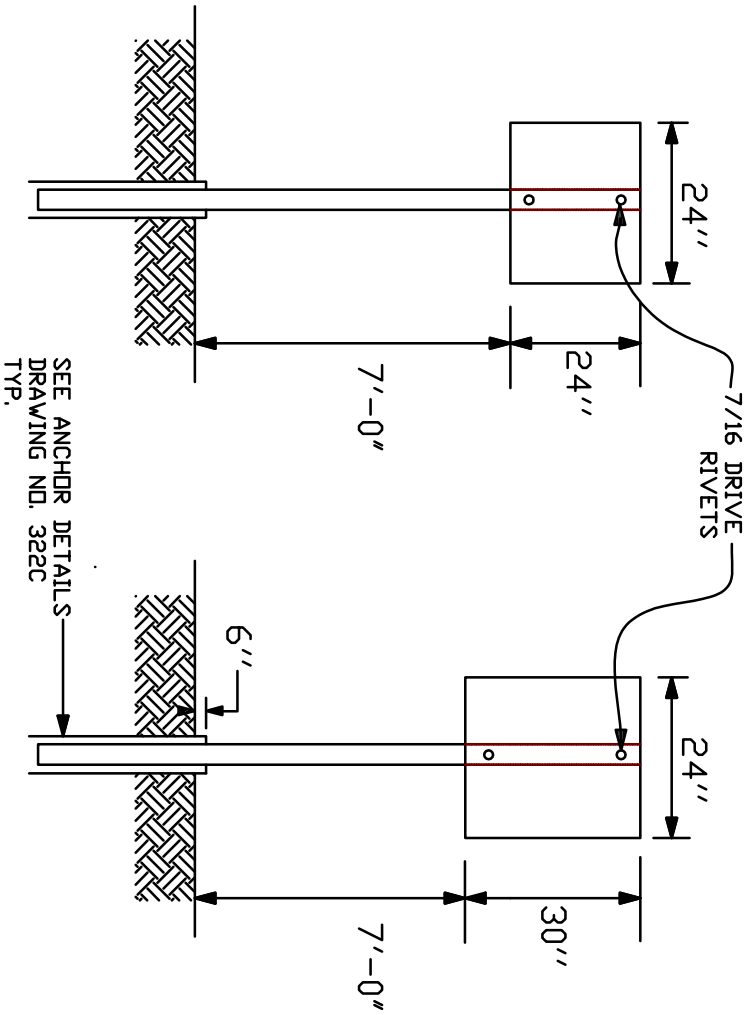


YIELD SIGN DETAILS



REGULATORY SIGN DETAILS



FULTON COUNTY STANDARD DETAIL 322A
SIGNS, STREET NAME, DETAILS & LOCATIONS

DATE	REVISIONS	DATE	REVISIONS
6-08	CJW		

DGS/DRN/CHKD: CMS
APPROVED: _____
DATE: 12-02-05



FULTON COUNTY PUBLIC WORKS
141 PRYOR ST. ATLANTA, GA. 30303
404-612-7400 FAX: 404-730-6325

DRAWING NO.

322A