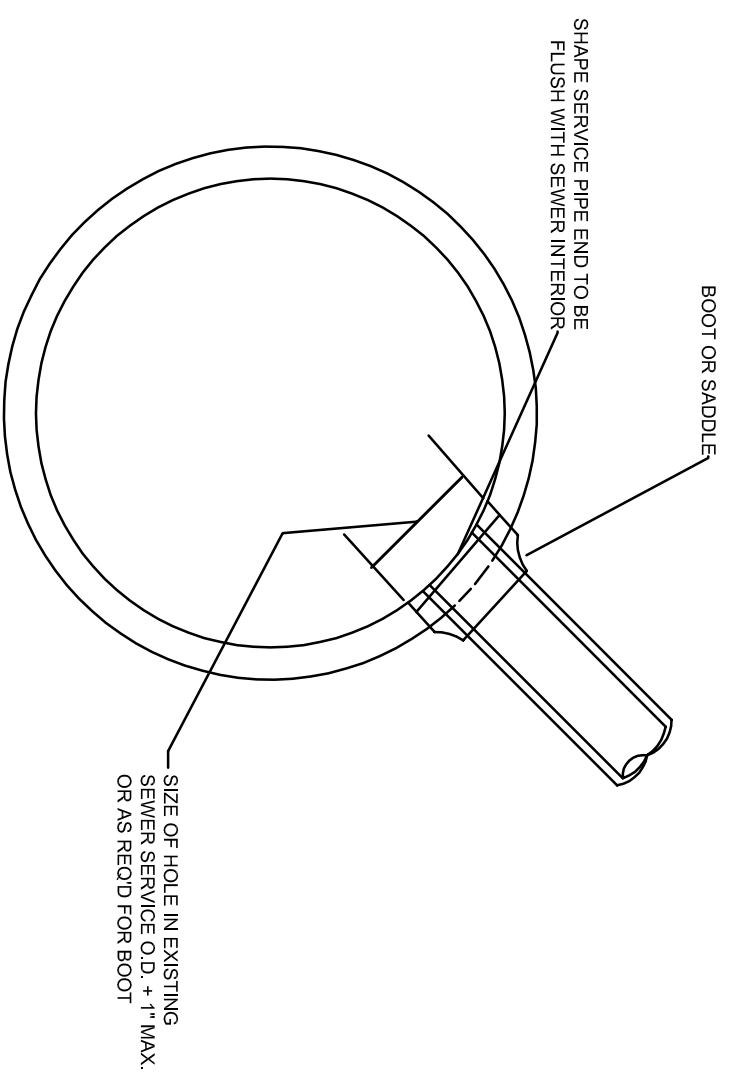



- NOTES:**
1. HOLE IN EXISTING SEWER SHALL BE CORED.
  2. CONNECT SERVICE TO SEWER WITH:
    - BOOT ON RGP AND VCP SEWERS
    - TAPPING SADDLE ON DIP SEWERS
    - MANUFACTURED SADDLE ON PVC PIPE SEWERS
  3. NO HAMMER TAPS



FULTON COUNTY STANDARD DETAIL 708 SERVICE CONNECTION ON EXISTING SEWERS		DATE	REVISIONS	DATE	REVISIONS	DGS/DRN/CHKD: JM	 FULTON COUNTY	FULTON COUNTY PUBLIC WORKS 141 PRYOR ST. ATLANTA, GA. 30303 404-612-7400 FAX: 404-224-0498	DRAWING NO. 708
		8/08	NRR			APPROVED: REW			
						DATE: 12-2-05			