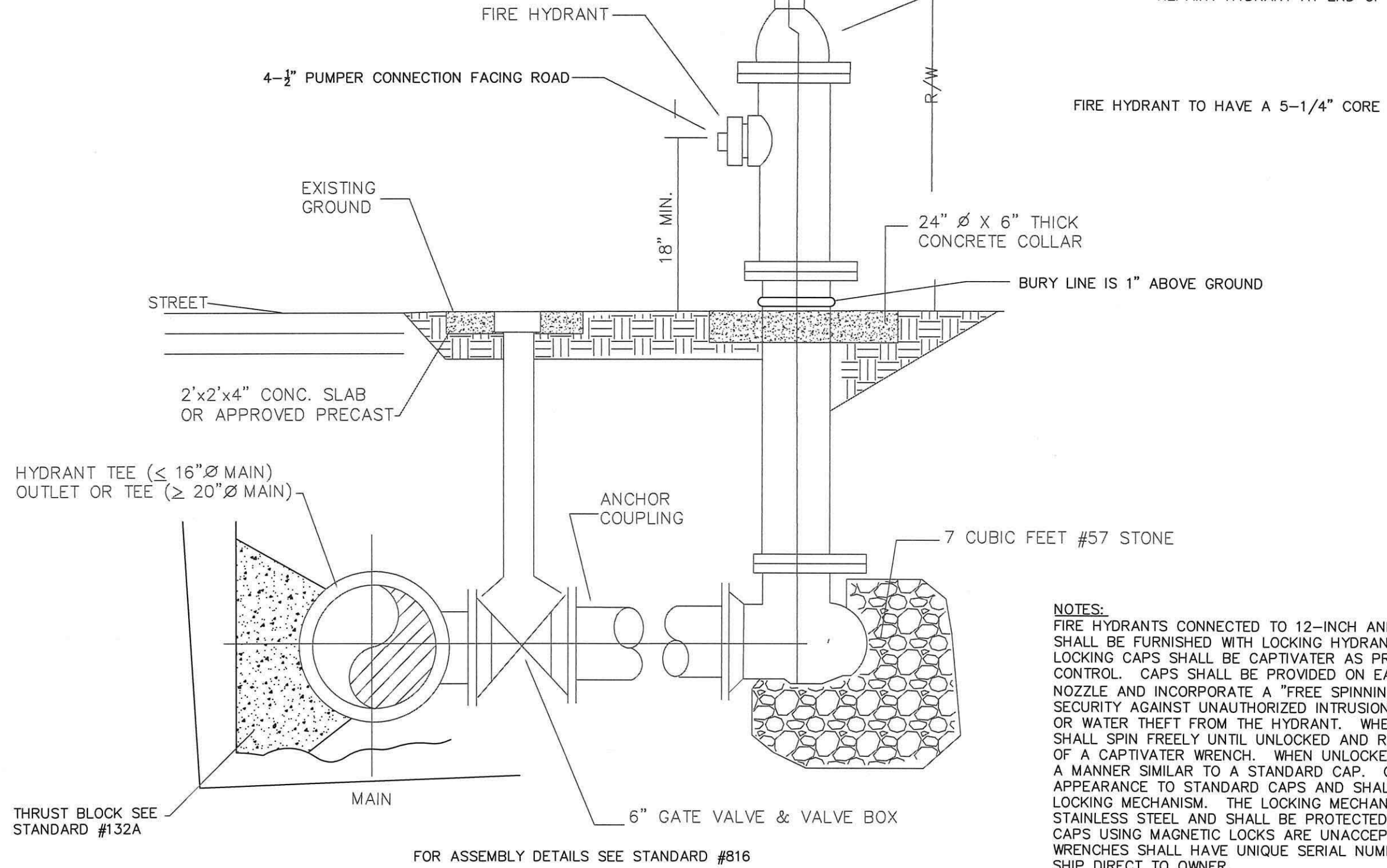


MINIMUM OF 18-INCHES FROM  
GROUND TO CENTER OF CONNECTION.  
MAXIMUM OF 21-INCHES.

NOTE REQUIRED:  
CONCRETE STRENGTH TEST REQUIRED  
FOR ALL POURED IN PLACE CONCRETE.

NOTE: PAINT BONNET SILVER FOR HYDRANTS  
SET ON 10-INCH AND SMALLER WATER LINES,  
YELLOW FOR HYDRANTS SET ON 12-INCH  
WATER LINES AND GREEN FOR HYDRANTS SET  
ON LARGER THAN 12-INCH WATER LINES.  
REPAINT HYDRANT AT END OF MAINTENANCE.



NOTES:  
FIRE HYDRANTS CONNECTED TO 12-INCH AND LARGER WATER MAINS SHALL BE FURNISHED WITH LOCKING HYDRANT SECURITY CAPS. LOCKING CAPS SHALL BE CAPTIVATOR AS PROVIDED BY AMERICAN FLOW CONTROL. CAPS SHALL BE PROVIDED ON EACH HOSE AND PUMPER NOZZLE AND INCORPORATE A "FREE SPINNING" DESIGN THAT PROVIDES SECURITY AGAINST UNAUTHORIZED INTRUSION INTO THE FIRE HYDRANT, OR WATER THEFT FROM THE HYDRANT. WHEN SECURED, THE CAP SHALL SPIN FREELY UNTIL UNLOCKED AND REMOVED THROUGH THE USE OF A CAPTIVATOR WRENCH. WHEN UNLOCKED, THE CAP SHALL OPEN IN A MANNER SIMILAR TO A STANDARD CAP. CAPS SHALL BE SIMILAR IN APPEARANCE TO STANDARD CAPS AND SHALL USE A CENTER PLACED LOCKING MECHANISM. THE LOCKING MECHANISM SHALL BE HARDENED STAINLESS STEEL AND SHALL BE PROTECTED FROM THE ELEMENTS. CAPS USING MAGNETIC LOCKS ARE UNACCEPTABLE. ALL CAPTIVATOR WRENCHES SHALL HAVE UNIQUE SERIAL NUMBERS. WRENCHES SHALL SHIP DIRECT TO OWNER.

FULTON COUNTY STANDARD DETAIL 815  
FIRE HYDRANT STREET UNCURBED

DATE	REVISIONS	DATE	REVISIONS
8/08	NRR		
10/16	TPM		

DGS/DRN/CHKD: REB  
APPROVED: REW  
DATE: 12-2-05



FULTON COUNTY PUBLIC WORKS  
141 PRYOR ST. ATLANTA, GA. 30303  
404-612-7400 FAX: 404-224-0498

DRAWING NO.  
815