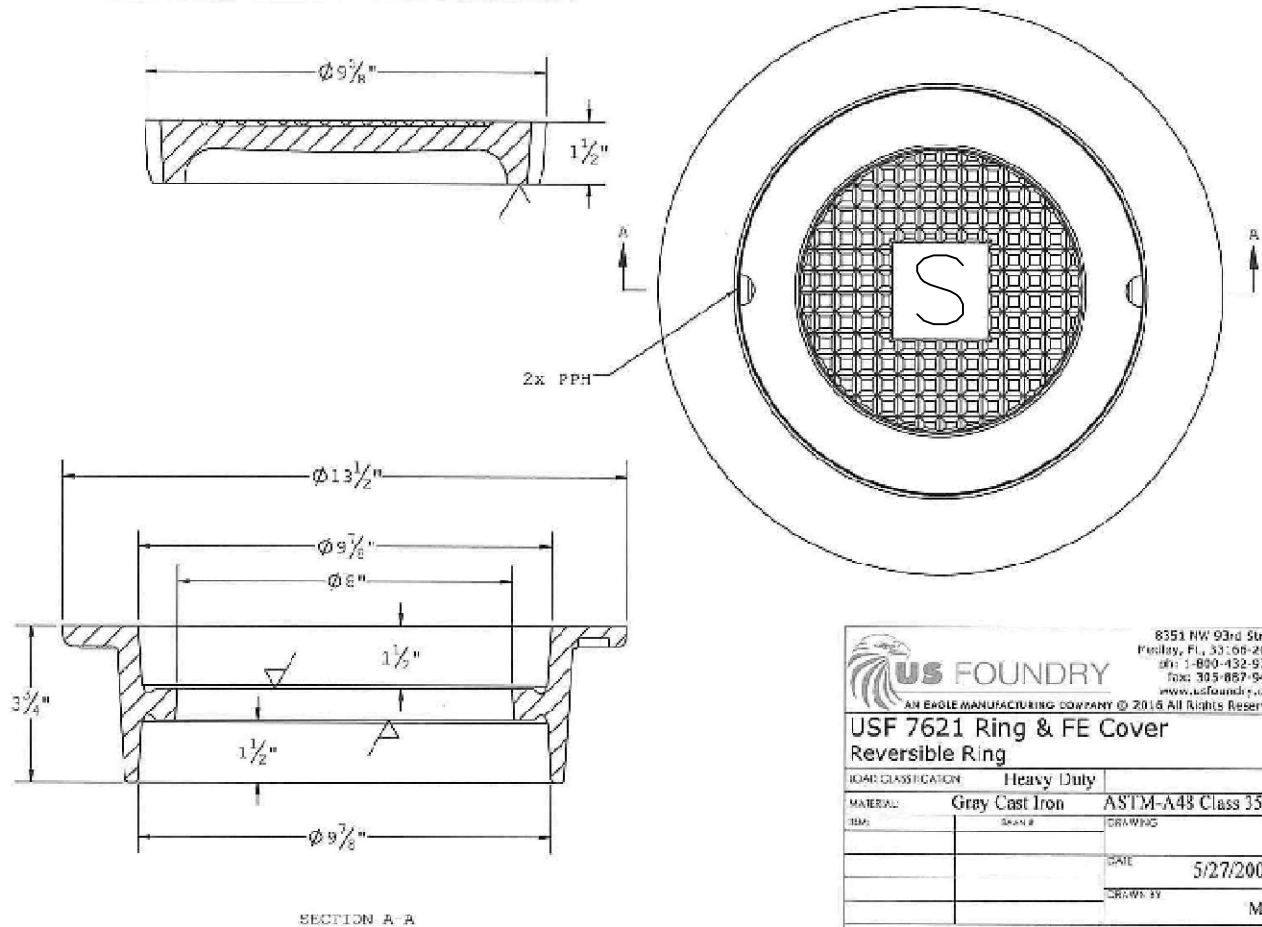


THE INFORMATION CONTAINED IN THIS DRAWING IS THE SOLE PROPERTY OF US FOUNDRY & MANUFACTURING CORP. ANY REPRODUCTION IN PART OR AS A WHOLE WITHOUT THE WRITTEN PERMISSION OF US FOUNDRY & MANUFACTURING CORP. IS PROHIBITED. US FOUNDRY & MANUFACTURING CORP. RESERVES THE RIGHT TO MAKE VARIOUS CHANGES TO DESIGN DETAILS FROM NOTICE TO NOTICE WITHOUT ANY OBLIGATION. WEIGHTS AND DIMENSIONS ARE PROVIDED FOR REFERENCE ONLY © 2018 US FOUNDRY AN ENGLE MANUFACTURING COMPANY




US FOUNDRY
 AN ENGLE MANUFACTURING COMPANY © 2018 All Rights Reserved
 8351 NW 93rd Street
 Wesley, FL, 33108-2025
 tel: 1-800-432-9709
 fax: 305-857-9429
 www.usfoundry.com

USF 7621 Ring & FE Cover
Reversible Ring

LOAD CLASSIFICATION	Heavy Duty		
MATERIAL	Gray Cast Iron	ASTM-A43 Class 35B	
ITEM	SKETCH	DRAWING	
		DATE	
		5/27/2003	
		DRAWN BY	
		MR	
REV	DATE	REVISED	CODE

FULTON COUNTY STANDARD DETAIL 828
 SANITARY SEWER CLEANOUT COVER FOR USE IN
 RESIDENTIAL DRIVEWAYS AND SIDEWALKS

DATE	REVISIONS	DATE	REVISIONS
1/18	TPM		

DGS/DRN/CHKD: TPM
 APPROVED: TPM
 DATE: 1-31-18



FULTON COUNTY PUBLIC WORKS
 141 PRYOR ST. ATLANTA, GA. 30303
 404-612-7400 FAX: 404-224-0498

DRAWING NO.
 828