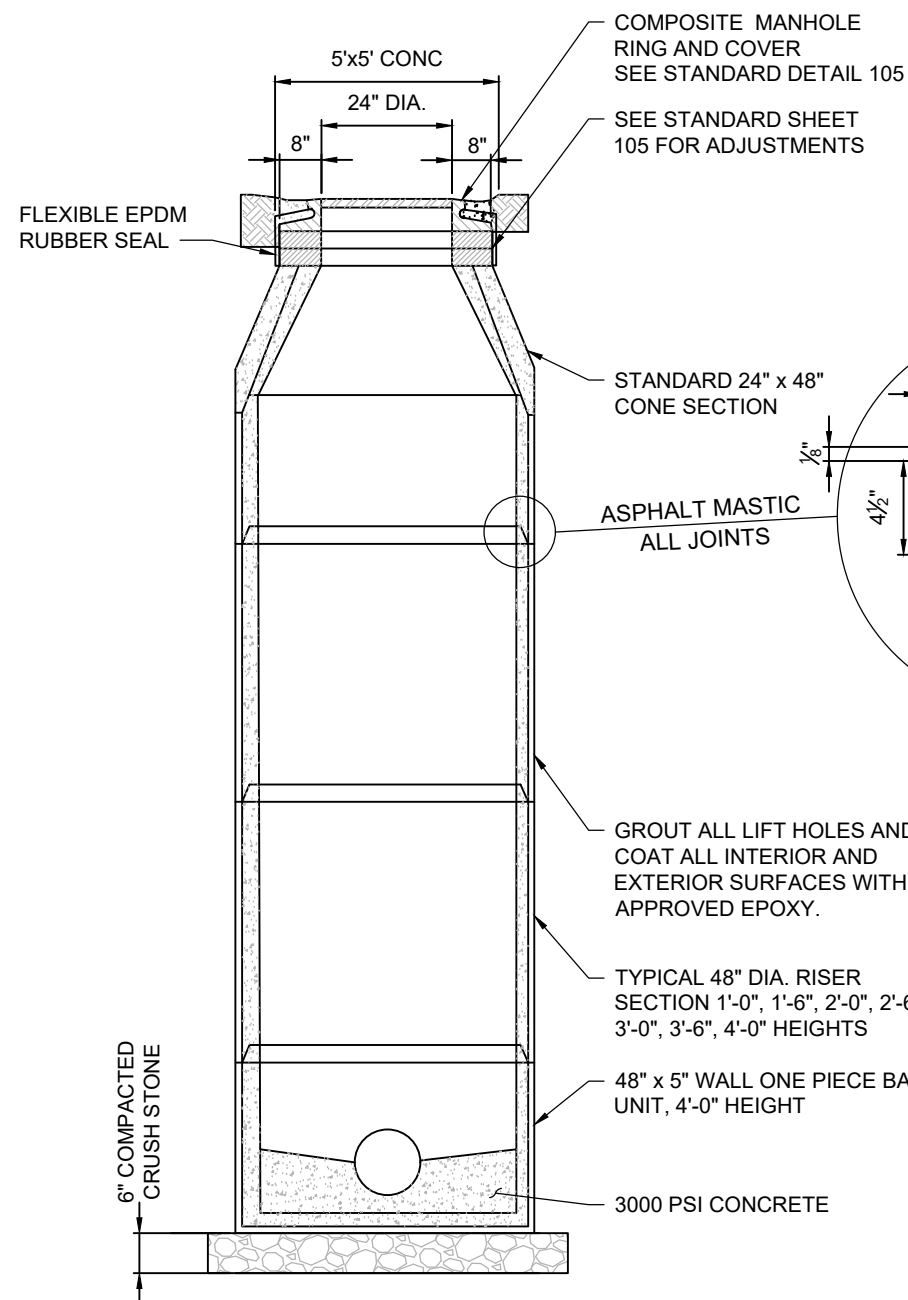
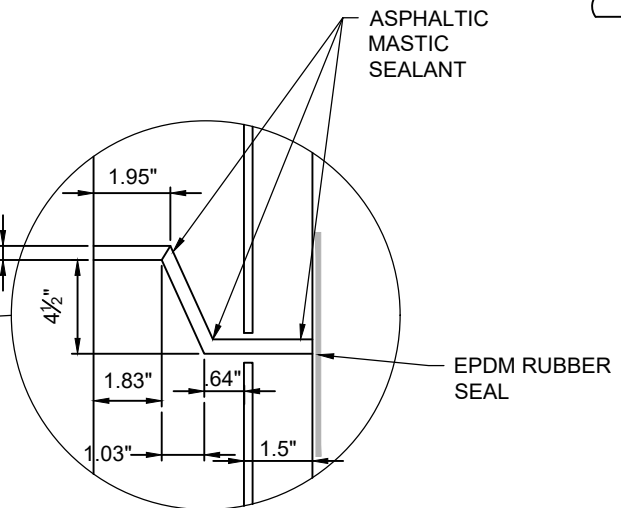


NOTES:

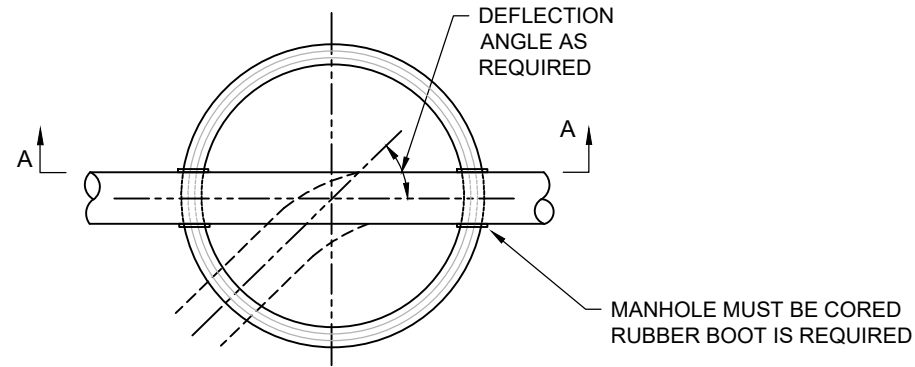
1. HOLES TO BE PRECAST; IF PRECAST HOLES ARE NOT AVAILABLE, MANHOLE MUST BE CORED AND RUBBER BOOT IS REQUIRED.
2. MAXIMUM HOLE SIZE = PIPE O.D. + 4"
3. USE CONCENTRIC CONIC SECTIONS IN RIGHT-OF-WAY.
4. OUTFALL MANHOLES MUST HAVE CAST IN PLACE RINGS.
5. ON ALL SECTIONS BELOW THE WATER TABLE, 8" EXTERNAL SEAL WRAP WILL BE REQUIRED.



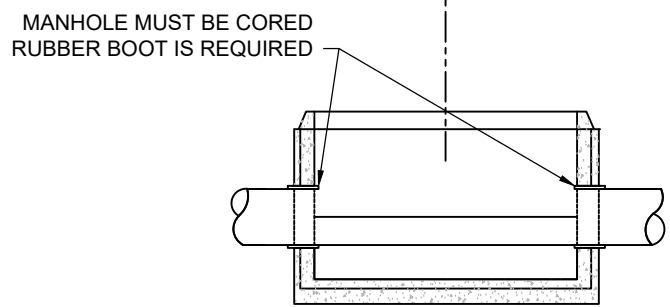
TYPICAL INSTALLATION
NTS



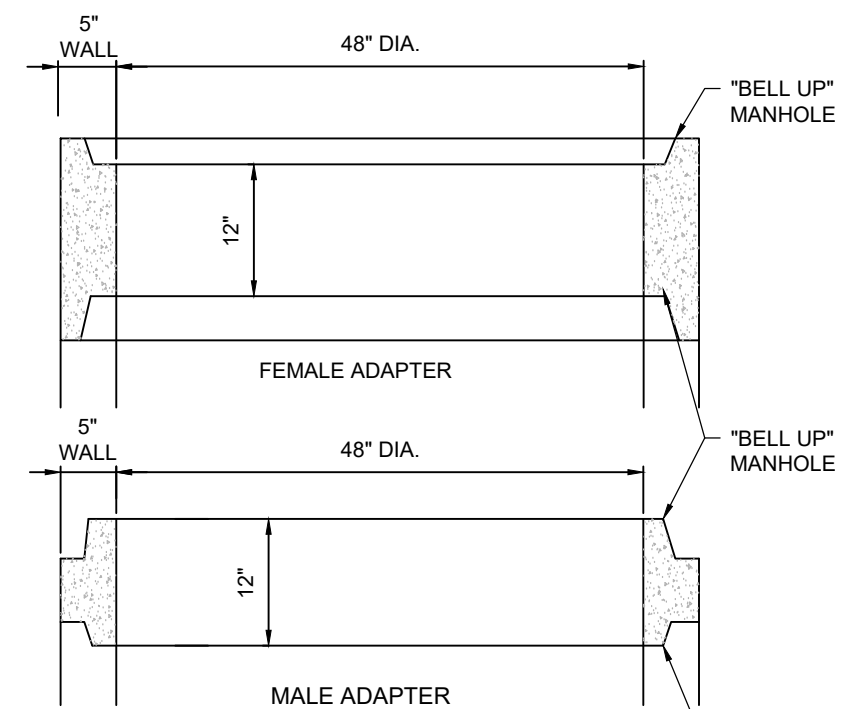
TYPICAL JOINT
NTS



PLAN VIEW ONE PIECE BASE UNIT
NTS



SECTION "A-A" THRU ONE PIECE BASE UNIT
NTS



JOIN ADAPTERS (SECTION VIEW)
NTS

FULTON COUNTY STANDARD DETAIL 113
PRECAST CONCRETE MANHOLE DETAILS

DATE	REVISIONS	DATE	REVISIONS
M/Y	XXX	M/Y	XXX

DGS/DRN/CHKD: XXX
APPROVED: XXX
DATE: XX-X-XX



FULTON COUNTY PUBLIC WORKS
141 PRYOR ST. ATLANTA, GA. 30303
404-612-7400 FAX: 404-224-0498

DRAWING NO.
113

95% SUBMITTAL