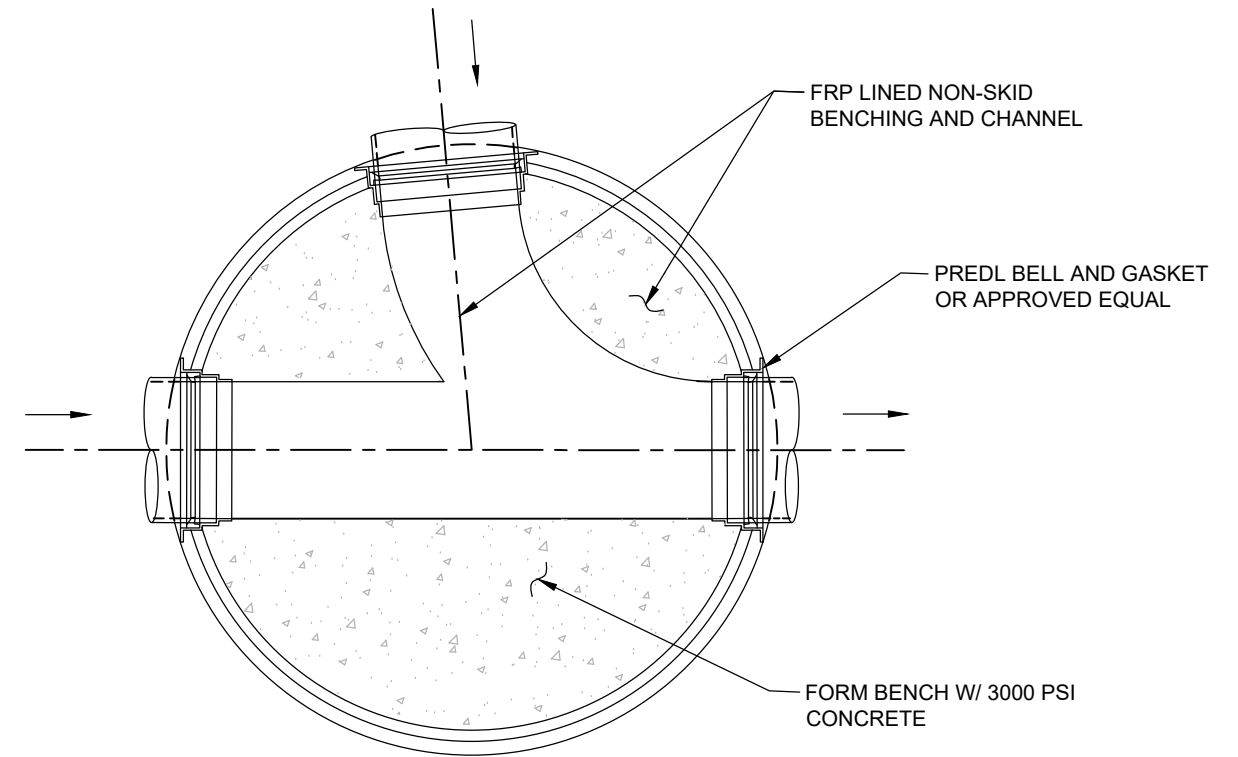


SECTION VIEW
N.T.S.



BASE PLAN VIEW
N.T.S.

NOTES:

1. APPLY A 3/8-INCH BEAD OF BUTYL RUBBER SEALANT BETWEEN THE FOLLOWING CONTACTING SURFACE:
 - PRECAST CONCRETE LID AND RISER RINGS
 - RISER RINGS
 - RISER RINGS AND TELESCOPIC ACCESS COLLAR
 - TELESCOPIC ACCESS COLLAR AND MANHOLE FRAME
2. PRECAST CONCRETE LID SHALL BE H20 RATED PER ASTM C478.
3. RISER RINGS SHALL HAVE A CLEAR OPENING EQUAL OR LESS THAN THE OPENING OF THE FRAME.
4. UNLESS SHOWN OTHERWISE ON DRAWINGS AND APPROVED BY FCPW, SAND, CRUSHED STONE OR PEA GRAVEL SHALL BE USED FOR BACKFILL AROUND THE MANHOLE FOR A MINIMUM DISTANCE OF ONE FOOT FROM THE OUTSIDE SURFACE AND EXTENDING FROM THE BOTTOM OF THE EXCAVATION TO THE TOP OF THE PRECAST CONCRETE LID.
5. BACKFILL SHALL BE PLACED IN LAYERS OF NOT MORE THAN 12 LOOSE MEASURE INCHES AND COMPACTED TO 95% STANDARD PROCTOR DENSITY, UNLESS APPROVED BY FCPW.

95% SUBMITTAL

FULTON COUNTY STANDARD DETAIL 114D
STANDARD SEWER MANHOLE
PVC/PRECAST CONCRETE HYBRID MANHOLES

DATE	REVISIONS	DATE	REVISIONS

DGS/DRN/CHKD: XXX
 APPROVED: XXX
 DATE: XX-X-XX



FULTON COUNTY PUBLIC WORKS
 141 PRYOR ST. ATLANTA, GA. 30303
 404-612-7400 FAX: 404-224-0498

DRAWING NO.
114D