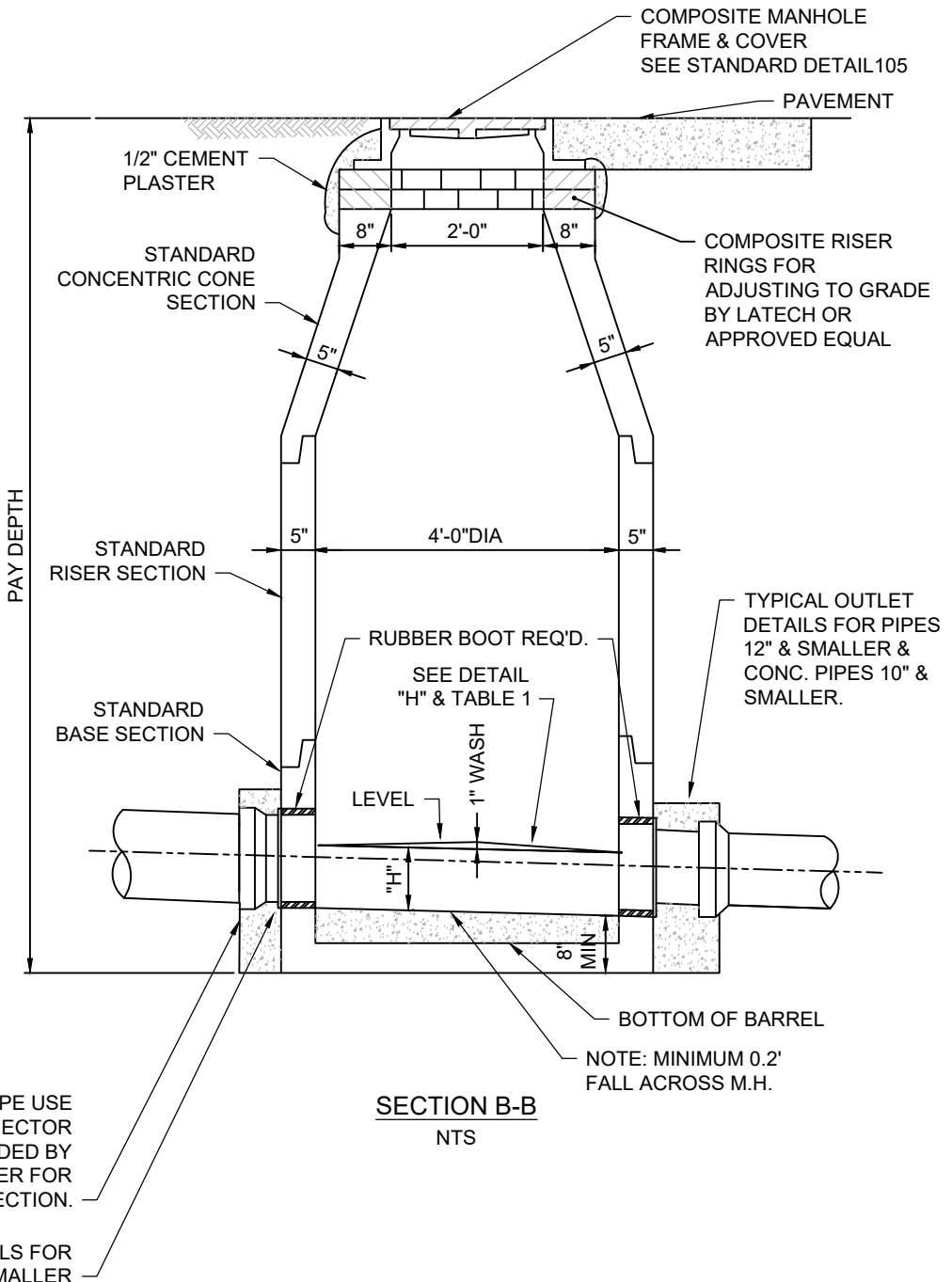
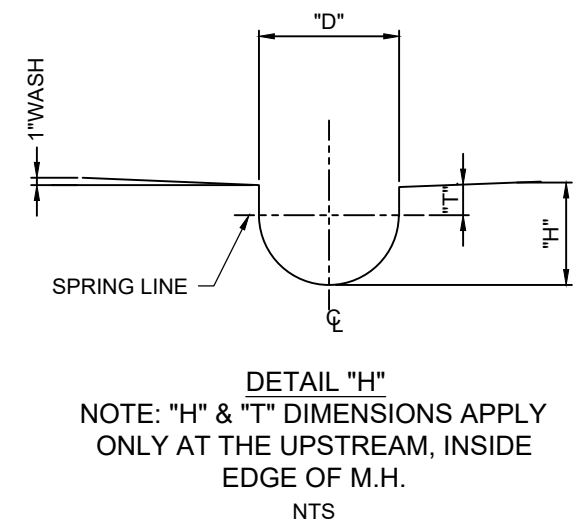


TABLE 1

"D"	"T"	"H"
INSIDE DIA. PIPE (IN.)	VERTICAL TANGENT (IN.)	HEIGHT OF WATER TABLE (IN.)
8	2 1/2	6 1/2
10	3	8
12	3 1/2	9 1/2
15	4 1/2	12
18	5 1/2	14 1/2
21	6 1/2	17
24	7 1/2	19 1/2
27	8	21 1/2
30	9	24
33	10	26 1/2
36	11	29



- NOTES:
1. FOR OUTFALL LINES, MANHOLE TOP TO BE 18" TO 24" ABOVE SURROUNDING GROUND SURFACE.
 2. ALL MANHOLES WITHIN TEN FEET OF PUBLIC RIGHT OF WAY SHALL BE TOPPED WITH A HEAVY DUTY TRAFFIC BEARING RING & COVER MOUNTED FLUSH TO EXISTING GRADE. LOADING SPECS. MAY BE REQUIRED FROM THE MANUFACTURER (RING & COVER).**
 3. OPENING FOR PIPE IN M.H. TO BE NO GREATER THAN 4" GREATER IN DIAMETER THAN PIPE.
 4. ECCENTRIC CONES MAY ONLY BE USED OUTSIDE OF ROW.
 5. POLYMER REINFORCED CONCRETE MANHOLES MAY BE USED AS AN ALTERNATIVE. VERIFY USE WITH FULTON COUNTY ENGINEER.

FULTON COUNTY STANDARD DETAIL 114F

STANDARD SEWER MANHOLES
PRECAST MANHOLES

DATE	REVISIONS	DATE	REVISIONS
M/Y	XXX	M/Y	XXX

DGS/DRN/CHKD: XXX
APPROVED: XXX
DATE: XX-X-XX



FULTON COUNTY PUBLIC WORKS
141 PRYOR ST. ATLANTA, GA. 30303
404-612-7400 FAX: 404-224-0498

DRAWING NO.
114F

95% SUBMITTAL