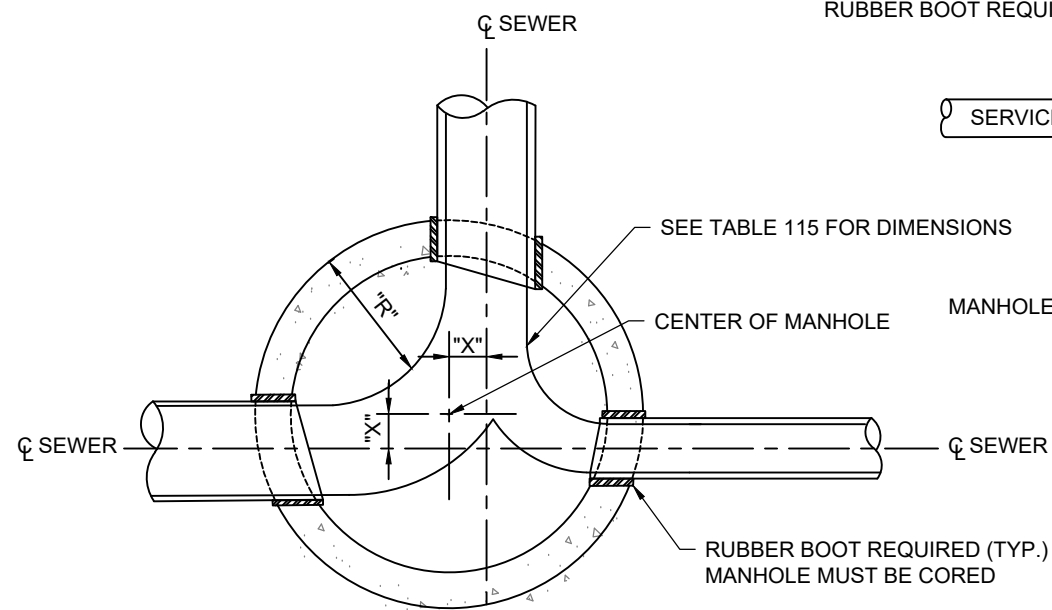
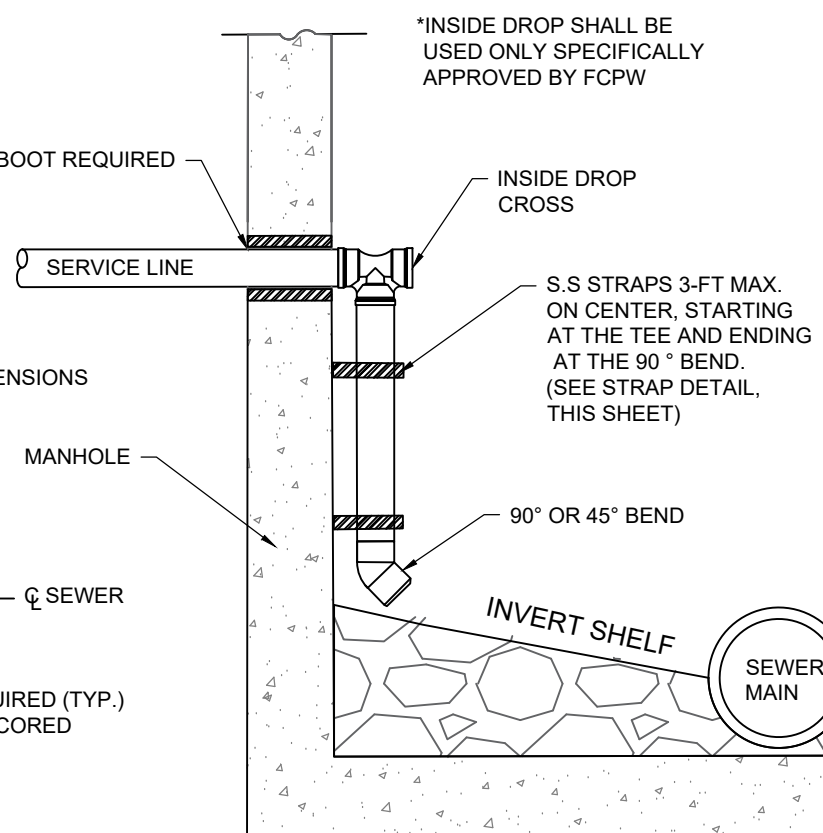


PART PLAN



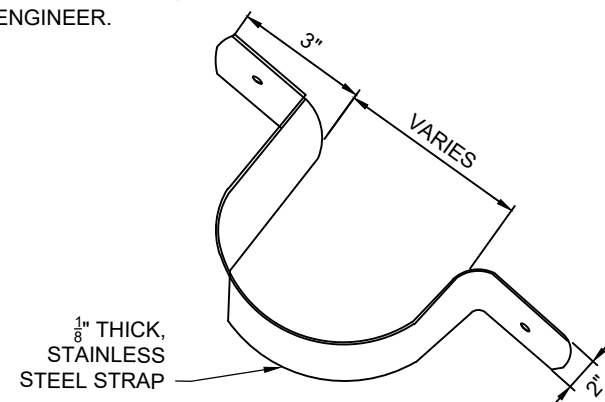
SECTION PLAN



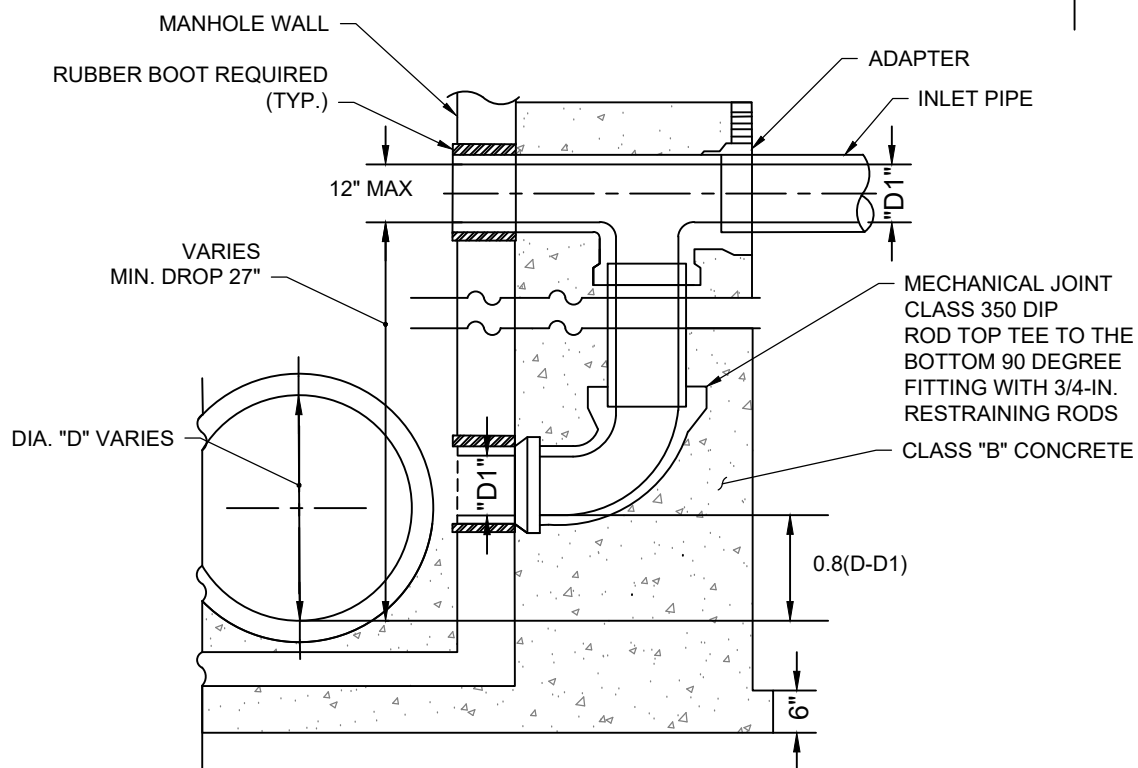
TYPICAL VERTICAL DROP INLET AT MANHOLE (INSIDE DROP)\*

NOTES:

1. IN WET CONDITIONS, ATTACH PIPE INSIDE OF MANHOLE. CONTACT PUBLIC WORKS.
2. CONTRACTOR MAY PROPOSE VERTICAL DROP ALTERNATIVES IN THE FIELD WITH THE INSPECTOR. INSPECTOR WILL APPROVE ALTERNATIVES.
3. PIPING CONFIGURATION TO BE USED ON ALL DROPS OVER 20 INCHES.
4. DROPS TO BE CONSTRUCTED OF SCHEDULE 80 PVC PIPE.
5. SERVICE LINE MAY NOT ENTER MANHOLE THROUGH CONE SECTION OR ANY JOINT.
6. THIS DETAIL SHALL NOT USED FOR FORCE MAINS
7. ALL MANHOLE CONNECTIONS SHALL BE CORED
8. USE 1/2 INCH DIAMETER EXPANSION TYPE STAINLESS STEEL CINCH BOLTS WITH STAINLESS STEEL WASHER AND NUTS TO ATTACH STRAPS.
9. MINIMUM OF TWO STRAPS REQUIRED.
10. MINIMUM SIZE OF MANHOLE W/ INSIDE DROP SHALL BE 60-INCH.
11. CONCRETE BALLAST REQUIREMENT SHALL BE AS DETERMINED BY DESIGN ENGINEER.



STRAP DETAIL



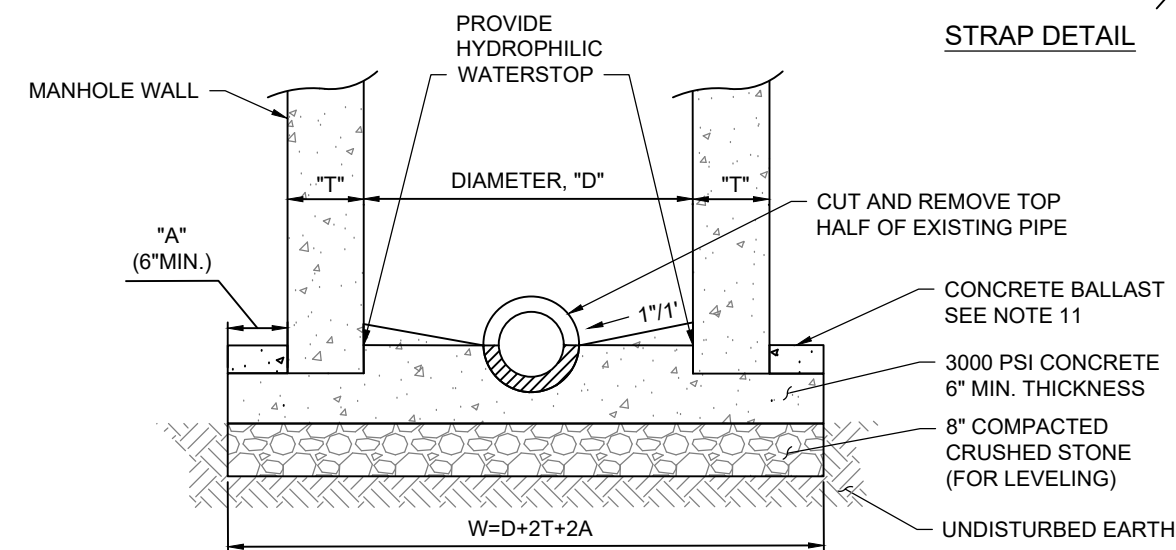
SECTION E-E

TYPICAL VERTICAL DROP INLET AT MANHOLE (OUTSIDE DROP)

NTS

TABLE 115 STANDARD PRECAST MANHOLES SCHEDULE OF GOVERNING DIMENSIONS				
PIPE SIZE (IN.)	ANGLE (DEGREES)	M.H. DIA. (FT.)	"R" (IN.)	"X" (IN.)
8 thru 12	0 to 90	4	12	0
15	0 to 60	4	15	0
15	60 to 90	4	15	6
18	0 to 60	4	18	0
18	60 to 90	4	16	8
21	0 to 60	4	21	0
21	60 to 90	5	21	9
24	0 to 60	4	24	0
24	60 to 90	5	18	9
27	0 to 60	5	27	0
27	60 to 90	6	24	12
30	0 to 60	5	30	0
30	60 to 90	6	21	8
36	0 to 90	PRE-BED PIPE, M.H. BASE & ELBOW UNIT		

(INSIDE DROP)\*  
NTS



TYPICAL DETAIL AT MANHOLE CONSTRUCTED OVER EXISTING PIPE

NTS

FULTON COUNTY STANDARD DETAIL 115

STANDARD SEWER MANHOLES  
INSIDE AND OUTSIDE VERTICAL DROPS

DATE	REVISIONS	DATE	REVISIONS
M/Y	XXX	M/Y	XXX

DGS/DRN/CHKD: XXX

APPROVED: XXX

DATE: XX-X-XX



FULTON COUNTY PUBLIC WORKS  
141 PRYOR ST. ATLANTA, GA. 30303  
404-612-7400 FAX: 404-224-0498

DRAWING NO.

115