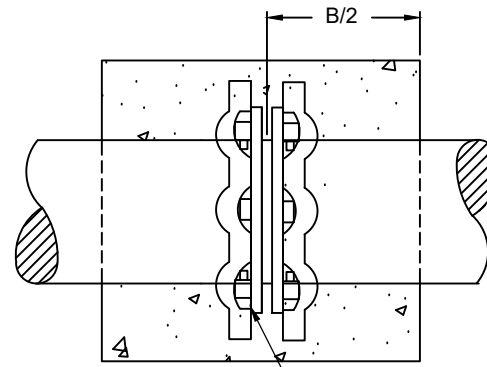


**TYPICAL DETAIL - ISOMETRIC VIEW**  
NTS



**TYPICAL DETAIL - ELEVATION**  
NTS

**NOTES:**

1. ALL MAINS GREATER THAN 16-IN. NOMINAL DIAMETER SHALL BE INDIVIDUALLY CALCULATED BY THE FULTON COUNTY ENGINEERING DEPARTMENT.
2. SOIL CONDITIONS SHALL BE VERIFIED BY THE ENGINEER BEFORE THRUST RESTRAINT DESIGN IS IMPLEMENTED.
3. CONCRETE SHALL BE POURED AGAINST UNDISTURBED EARTH EXCEPT WHERE FORMWORK IS A MUST. FORMWORK MUST BE REMOVED AFTER CONCRETE IS CURED.
4. PIPE MUST BE DUCTILE IRON.

**DESIGN DATA:**

1. COLLAR DIMENSIONS ARE BASED ON A SOIL BEARING CAPACITY OF 2,000 POUNDS PER SQUARE FOOT, A RATED TEST PRESSURE OF 250 POUNDS PER SQUARE INCH (PSI), AND 3,000 PSI CLASS "A" CONCRETE.
2. UNDER ADVERSE CONSTRUCTION CONDITIONS, CONCRETE SHALL BE "HIGH EARLY" TYPE.

TABLE 125-1  
MINIMUM DIMENSIONS FOR CONCRETE COLLAR ON DUCTILE IRON PIPE  
TO BE USED WITH EMBEDDED DUCTILE IRON RETAINER GLAND

PIPE SIZE (IN.)	"A"	"B" (IN.)	"C"	"D"	"E"	VOLUME (CY)	CONCRETE WEIGHT (LBS)	THRUST (LBS)
4	2'-6"	12	2'-6"	1'-3"	1'-0"	0.23	919	4,524
6	2'-9"	12	2'-9"	1'-4 $\frac{1}{2}$ "	1'-1"	0.27	1,095	9,348
8	3'-0"	18	3'-0"	1'-6"	1'-2"	0.47	1,924	16,082
10	4'-0"	18	3'-6"	2'-0"	1'-4"	0.74	2,999	24,192
12	4'-6"	24	4'-6"	2'-3"	1'-9"	1.43	5,790	34,212
14	5'-6"	24	4'-6"	2'-9"	1'-8"	1.74	7,042	45,963
16	6'-6"	24	5'-0"	3'-3"	1'-10"	2.29	9,255	59,447

FULTON COUNTY STANDARD DETAIL 125  
THRUST RESTRAINT CONCRETE COLLAR

DATE	REVISIONS	DATE	REVISIONS
M/Y	XXX	M/Y	XXX

DGS/DRN/CHKD: XXX  
APPROVED: XXX  
DATE: XX-X-XX



FULTON COUNTY PUBLIC WORKS  
141 PRYOR ST. ATLANTA, GA. 30303  
404-612-7400 FAX: 404-224-0498

DRAWING NO.  
**125**

95% SUBMITTAL