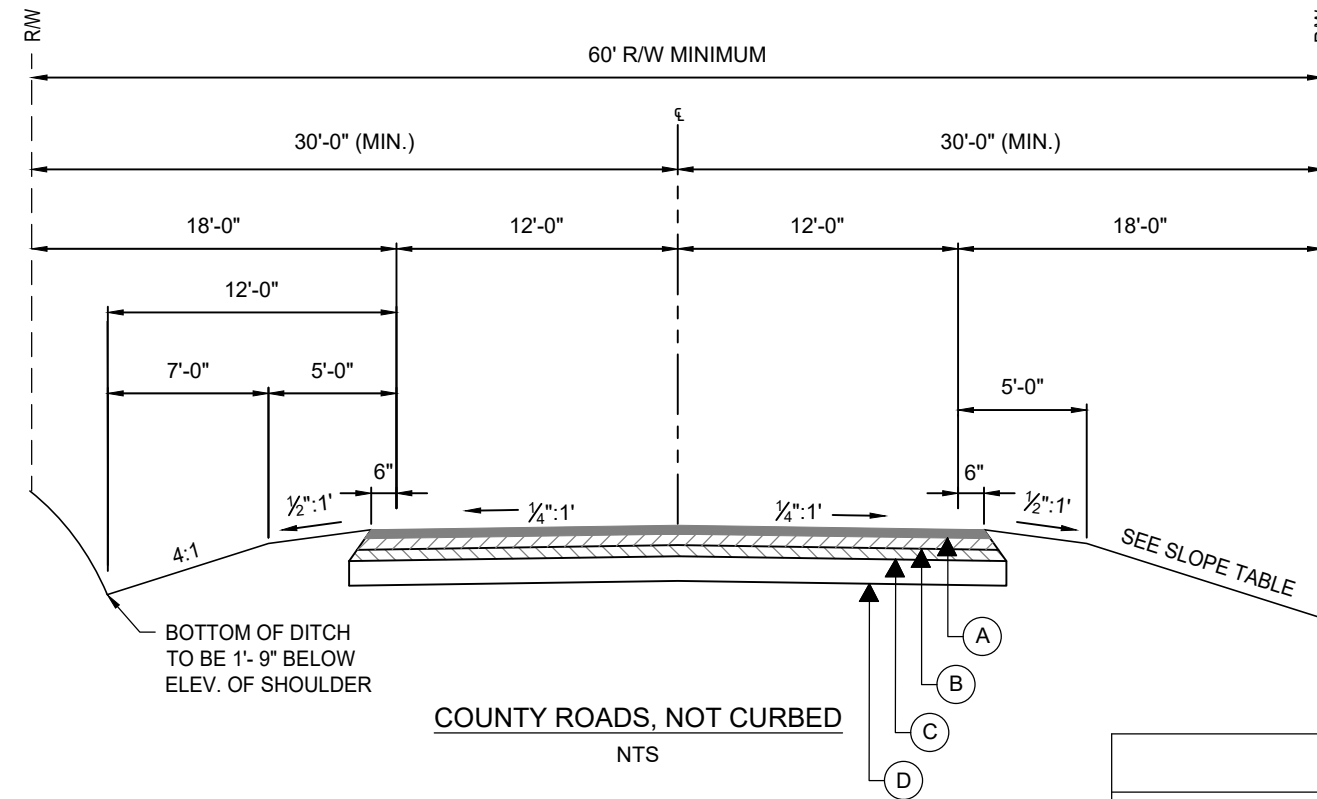


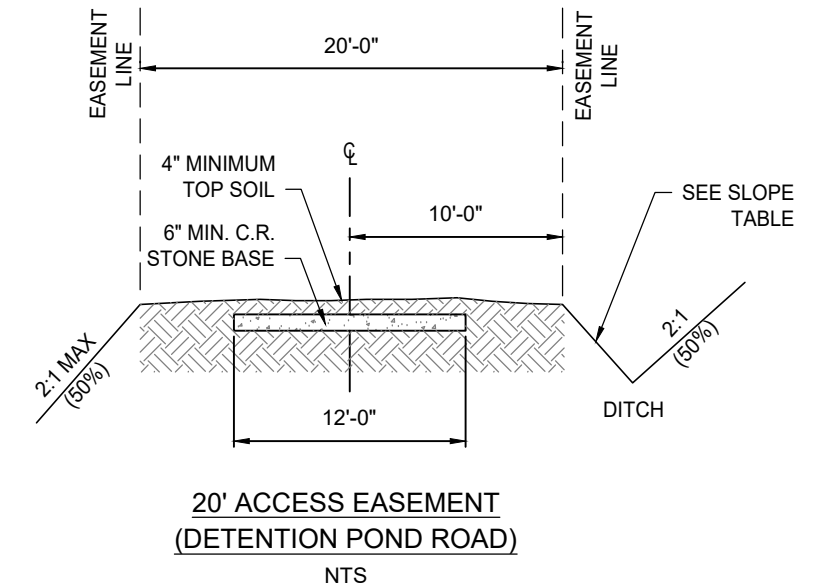
**NOTES:**

1. THE DIRECTOR OF PUBLIC WORKS DUE TO TRAFFIC CHARACTERISTICS MAY REQUIRE A HEAVIER PAVEMENT SECTION.
2. PAVING SECTION TO BE APPROVED BY DEPARTMENT OF PUBLIC WORKS.
3. RAISED PAVEMENT MARKERS TO BE USED AS REQUIRED AND MUST BE APPROVED BY COUNTY ENGINEER/INSPECTOR.
4. TACK COAT (CRS2H, SS1 OR AC30) TO BE USED AS REQUIRED.
5. PRIME COAT (RC70) TO BE USED AS REQUIRED.

TABLE 301-1 INDUSTRIAL & COUNTY ROADS	
PAVEMENT MATERIAL SCHEDULE	
(A)	ASPHALT, CONCRETE 9.5 mm SUPERPAVE, 165 lb/yd <sup>2</sup> (1-1/2")
(B)	ASPHALT, CONCRETE 19 mm SUPERPAVE, 220 lb/yd <sup>2</sup> (2")
(C)	ASPHALT, CONCRETE 25 mm SUPERPAVE, 330 lb/yd <sup>2</sup> (3")
(D)	GRADED AGGREGATE BASE (CRUSHER RUN) (8")



CUT SLOPE		FILL SLOPE	
0' - 5'	5' OR MORE	0' - 5'	5' OR MORE
4:1	2:1	4:1	2:1



FULTON COUNTY STANDARD DETAIL 301

TYPICAL SECTIONS  
STREETS

DATE	REVISIONS	DATE	REVISIONS
M/Y	XXX	M/Y	XXX

DGS/DRN/CHKD:   XXX    
 APPROVED:   XXX    
 DATE:   XX-X-XX  



FULTON COUNTY PUBLIC WORKS  
 141 PRYOR ST. ATLANTA, GA. 30303  
 404-612-7400 FAX: 404-224-0498

DRAWING NO.

301

95% SUBMITTAL