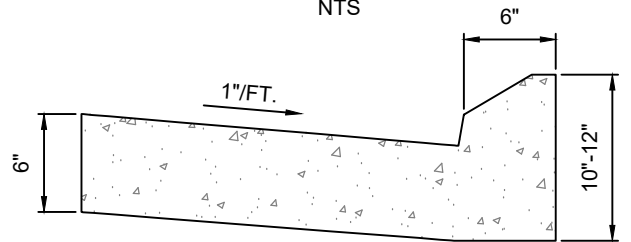


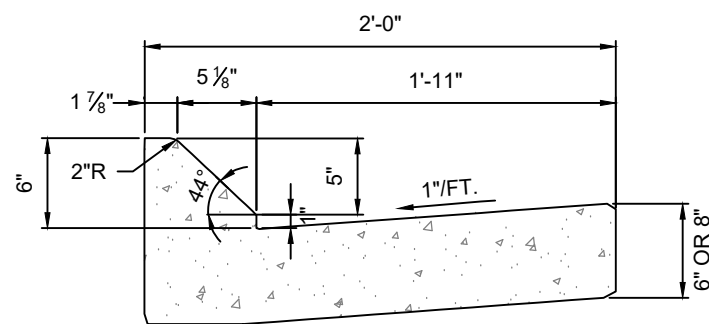
TYPE 1 CONCRETE CURB & GUTTER
INDUSTRIAL ROAD

NTS



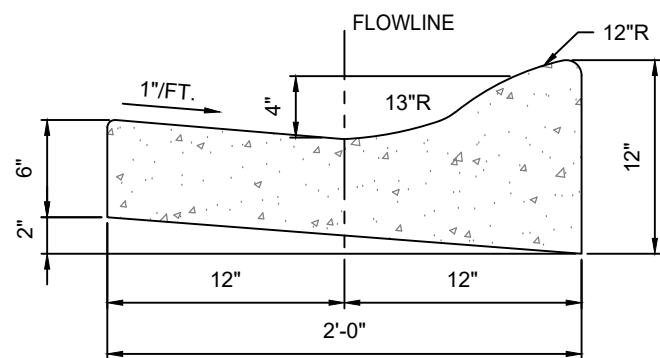
TYPE 2 CONCRETE CURB & GUTTER
MAJOR & MINOR RESIDENTIAL SIDE STREETS
ONLY

NTS



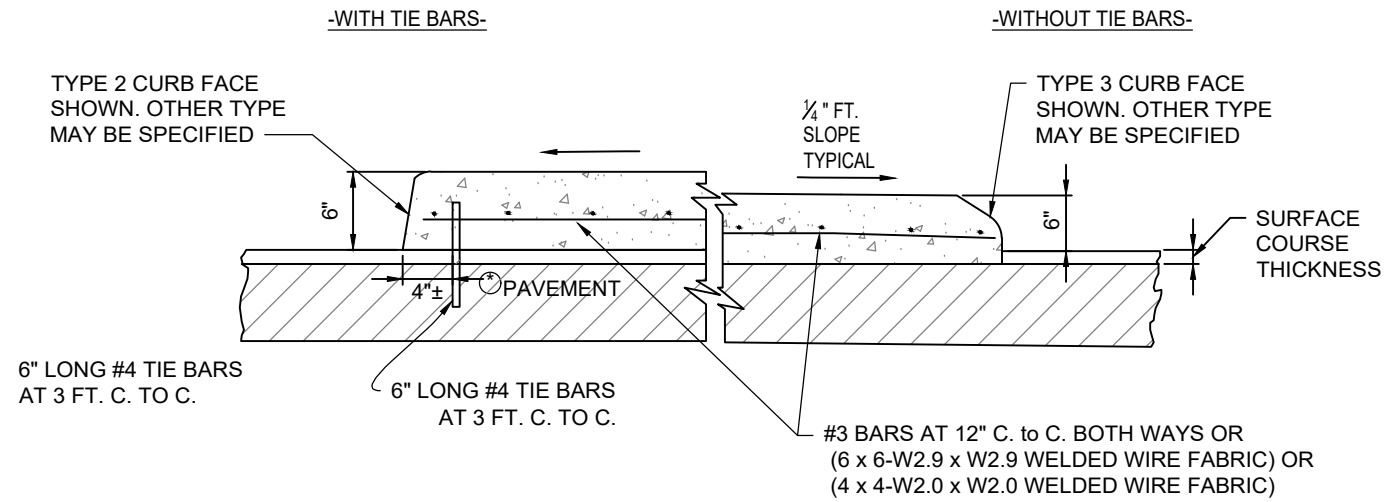
TYPE 3 MOUNTABLE CURB & GUTTER

NTS



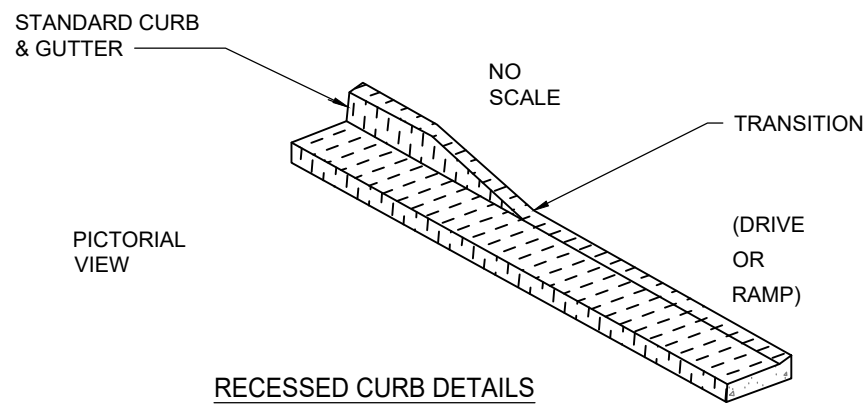
TYPE 4 CONCRETE ROLLED CURB & GUTTER

NTS



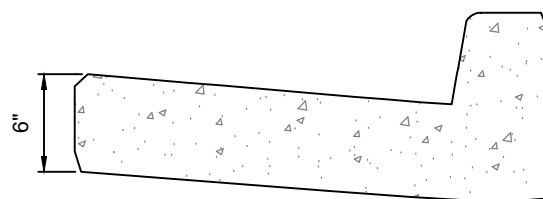
CONCRETE MEDIANS (ISLAND)

NTS



RECESSED CURB DETAILS
TYPICAL USE: AT DRIVEWAYS
OR CURB CUT RAMPS

NTS



SECTION VIEW

NTS

NOTES:

1. IF CONCRETE MEDIAN INTERCEPTS PEDESTRIAN CROSSWALKS, HANDICAP RAMPS (SEE DWG 312) WILL BE REQUIRED.
2. CURB & GUTTER WILL BE MEASURED FOR PAYMENT THRU THE DRIVE OR RAMP OPENING.
3. CONCRETE PAVEMENT: TIE BARS WILL BE PLACED AFTER FINISHING AND BEFORE INITIAL SET HAS TAKEN PLACE.
4. ASPHALT PAVEMENT: TIE BARS MAY BE DRIVEN IN OR DRILLED AND GROUTED.

FULTON COUNTY STANDARD DETAIL 307

CURB & GUTTER DETAILS

DATE	REVISIONS	DATE	REVISIONS
M/Y	XXX	M/Y	XXX

DGS/DRN/CHKD: XXX
APPROVED: XXX
DATE: XX-X-XX



FULTON COUNTY PUBLIC WORKS
141 PRYOR ST. ATLANTA, GA. 30303
404-612-7400 FAX: 404-224-0498

DRAWING NO.

307

95% SUBMITTAL