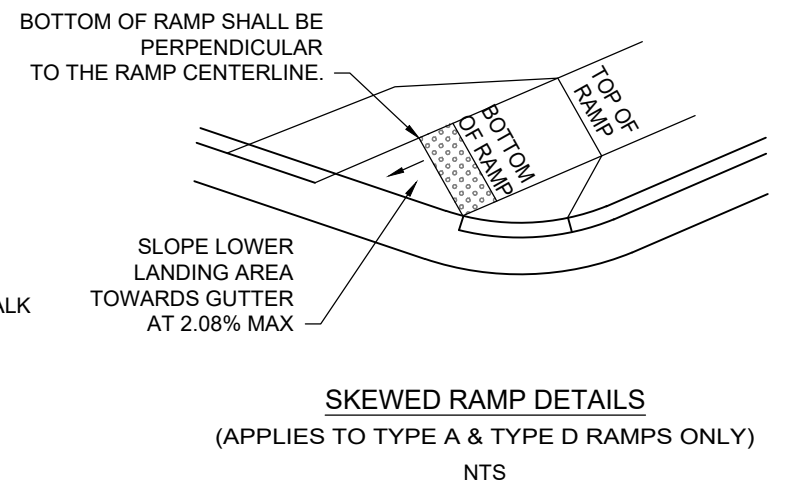
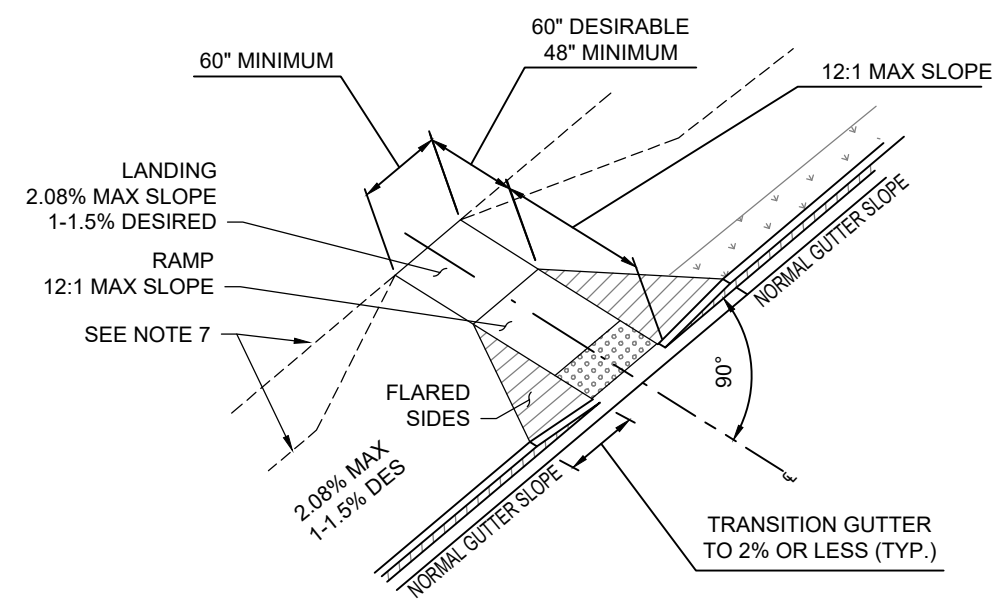


TYPICAL LOCATIONS FOR CURB CUT RAMPS - PLAN VIEW  
NTS

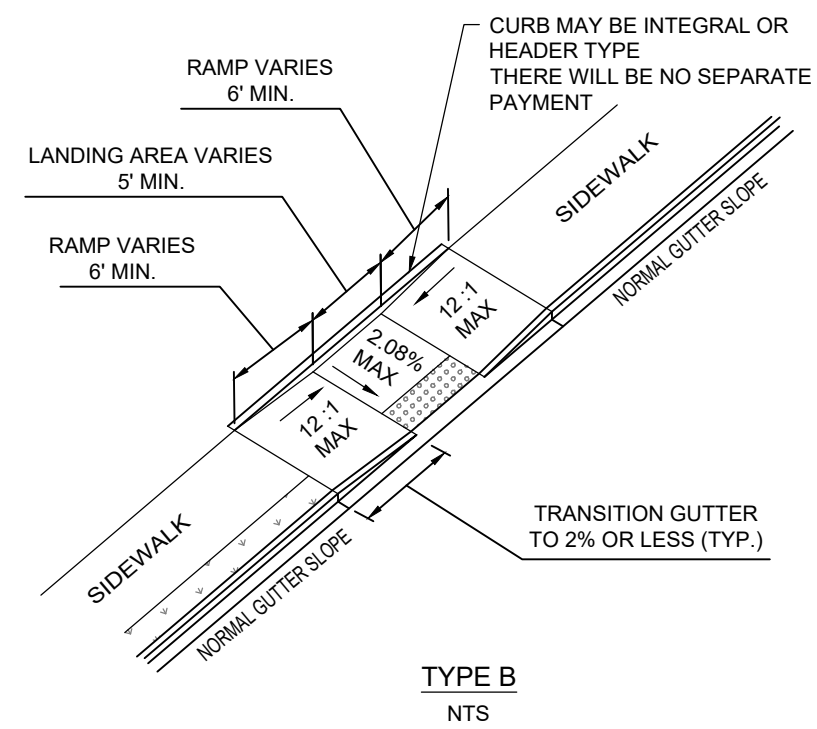


NOTES:

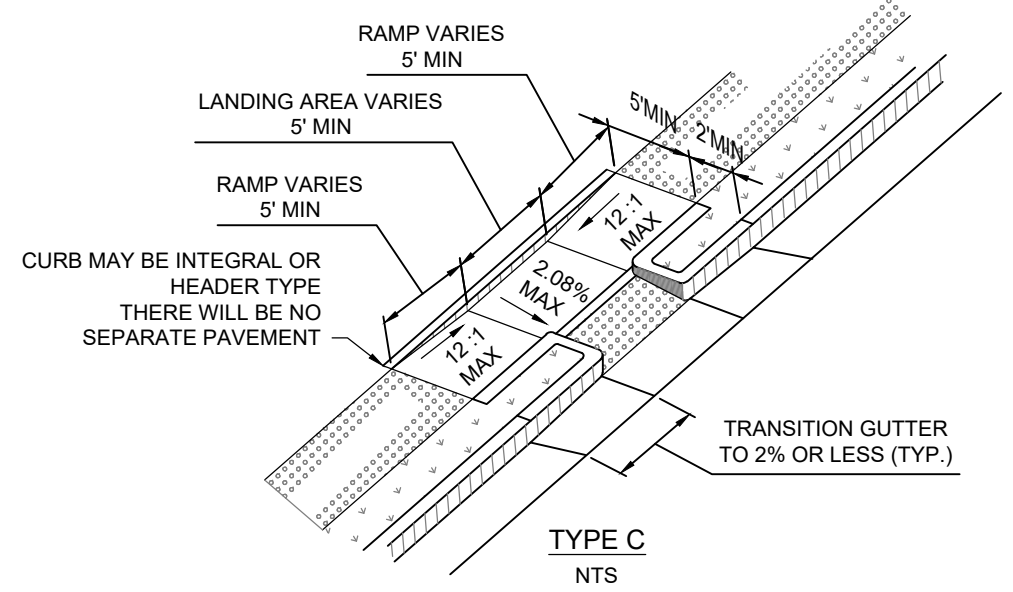
1. THE RAMP LENGTH IS NOT REQUIRED TO EXCEED 15 FEET. THE RAMP SLOPE MAY EXCEED 12:1 IF THE SITE CONDITIONS PREVENT THE USE OF A RAMP 15 FEET LONG.
2. IN AREAS WHERE THE GUTTER HAS A SLOPE 1" IN 1' END NORMAL GUTTER SLOPE AT A DISTANCE OF 6 TO 10 FEET FROM THE RAMP AND BEGIN TRANSITION TO A FLAT GUTTER SLOPE. NORMAL GUTTER SLOPE SHALL BE RESUMED AT A SIMILAR DISTANCE BEYOND THE RAMP.
3. TYPE A IS THE PREFERRED RAMP STYLE.
4. TYPE B RAMPS ARE NORMALLY USED WHEN SPACE IS NOT AVAILABLE FOR A LANDING AT THE TOP OF A TYPE A RAMP.
5. TYPE D RAMPS ARE NORMALLY USED WHEN THE SIDEWALK TIES DIRECTLY INTO THE CROSSWALK.
6. WHEN THE RAMP CENTERLINE IS NOT PERPENDICULAR TO THE CURB A LEVEL LANDING AREA WITH SLOPES LESS THAN 2.08% MUST BE PROVIDED AT THE BOTTOM OF THE RAMP.
7. BACK OF SIDEWALK SHALL BE LOCATED AS SHOWN IN THE PLANS OR AS DIRECTED BY THE ENGINEER SO AS NOT TO ENCROACH INTO THE REQUIRED LANDING AREA.



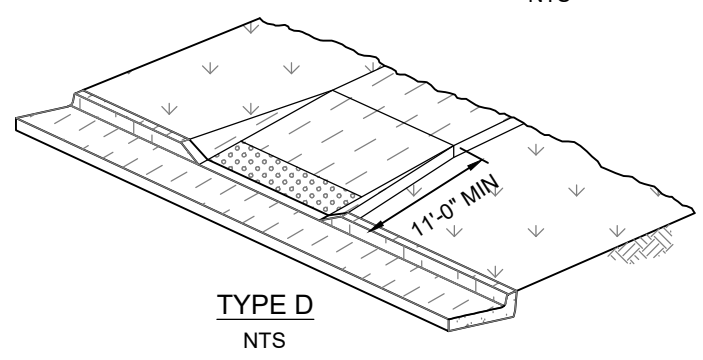
TYPE A (THE PREFERRED RAMP)  
NTS



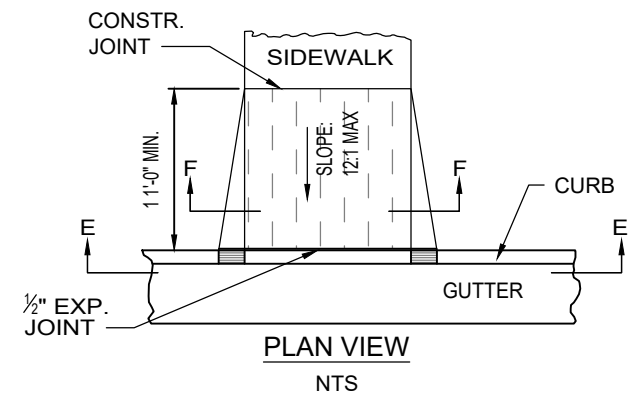
TYPE B  
NTS



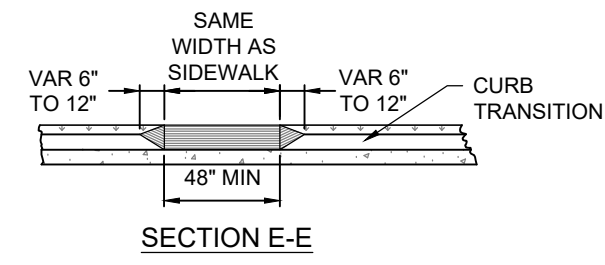
TYPE C  
NTS



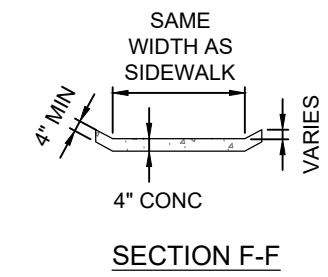
TYPE D  
NTS



PLAN VIEW  
NTS



SECTION E-E



SECTION F-F

FULTON COUNTY STANDARD DETAIL 312  
HANDICAP RAMP DETAILS

DATE	REVISIONS	DATE	REVISIONS
M/Y	XXX	M/Y	XXX

DGS/DRN/CHKD: XXX  
APPROVED: XXX  
DATE: XX-X-XX



FULTON COUNTY PUBLIC WORKS  
141 PRYOR ST. ATLANTA, GA. 30303  
404-612-7400 FAX: 404-224-0498

DRAWING NO.  
312

95% SUBMITTAL