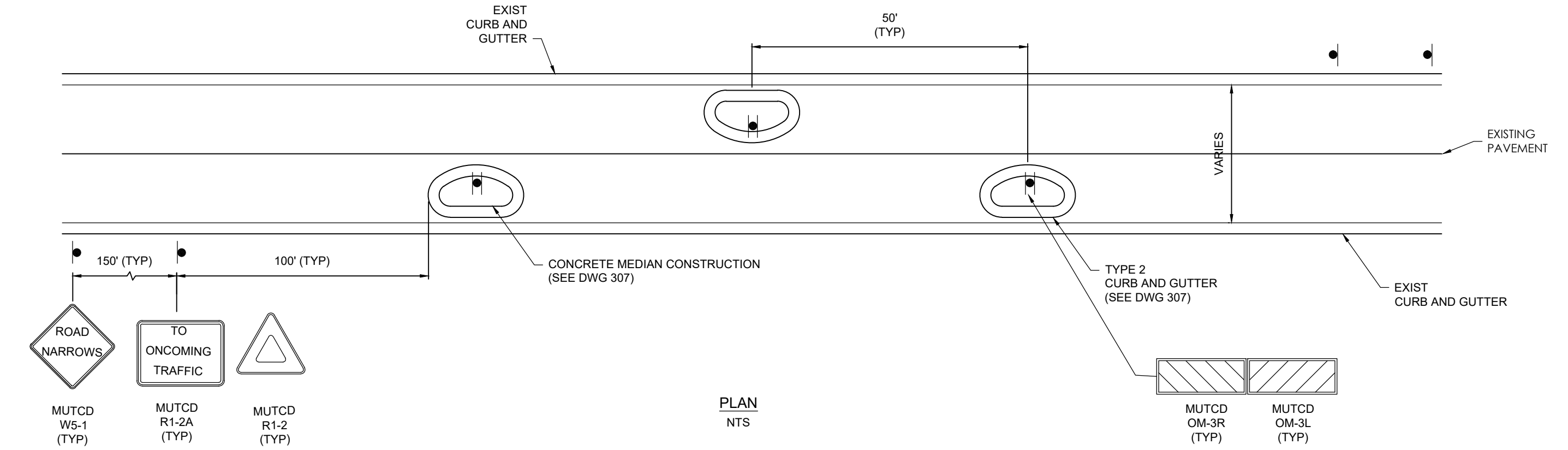
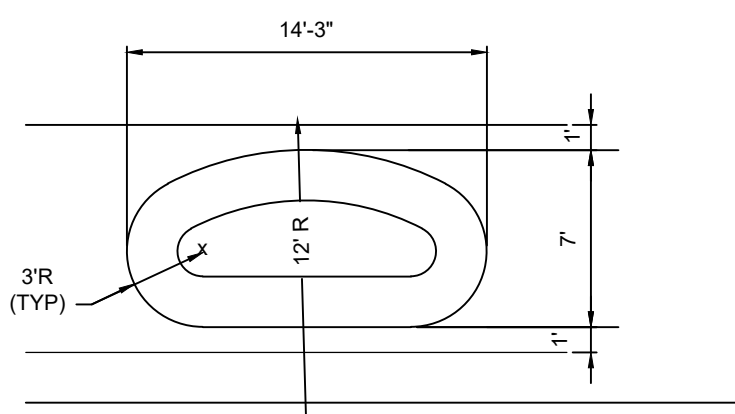


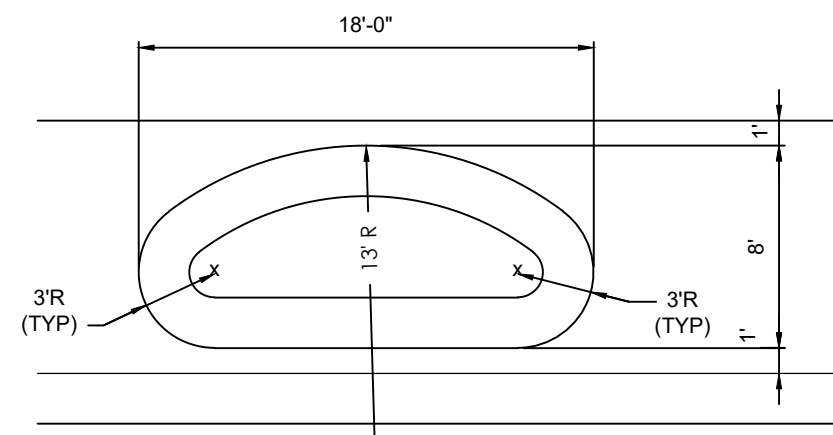
NOTES:
 1. SEE DWG 322 A/B/C FOR SIGN INSTALLATION DETAILS.



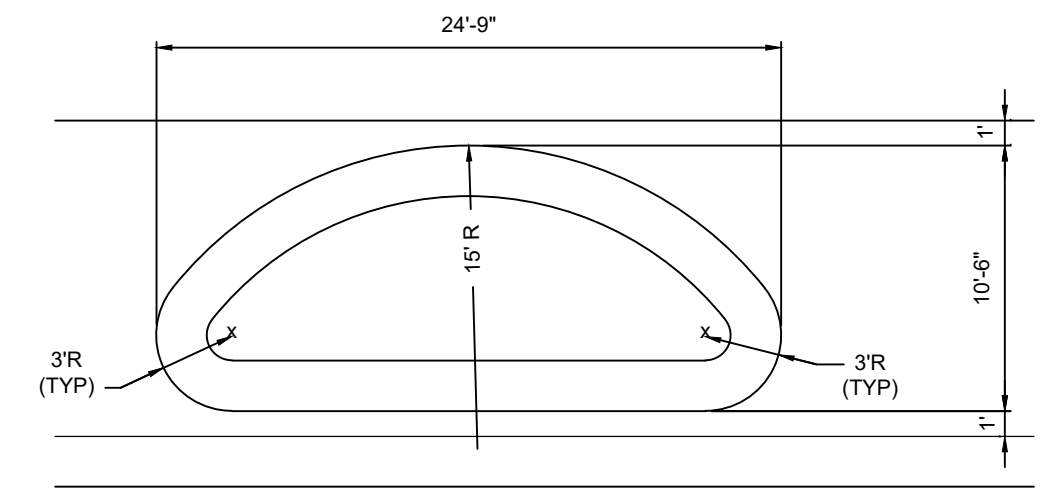
PLAN
NTS



EXIST 18' ROAD WIDTH
NTS



EXIST 20' ROAD WIDTH
NTS



EXIST 25' ROAD WIDTH
NTS

95% SUBMITTAL

FULTON COUNTY STANDARD DETAIL 314

CHICANES

DATE	REVISIONS	DATE	REVISIONS
M/Y	XXX	M/Y	XXX

DGS/DRN/CHKD: XXX
 APPROVED: XXX
 DATE: XX-X-XX



FULTON COUNTY PUBLIC WORKS
 141 PRYOR ST. ATLANTA, GA. 30303
 404-612-7400 FAX: 404-224-0498

DRAWING NO.

314