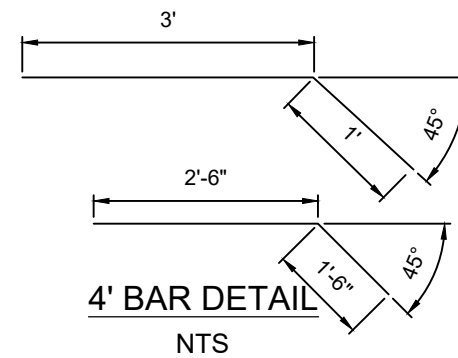


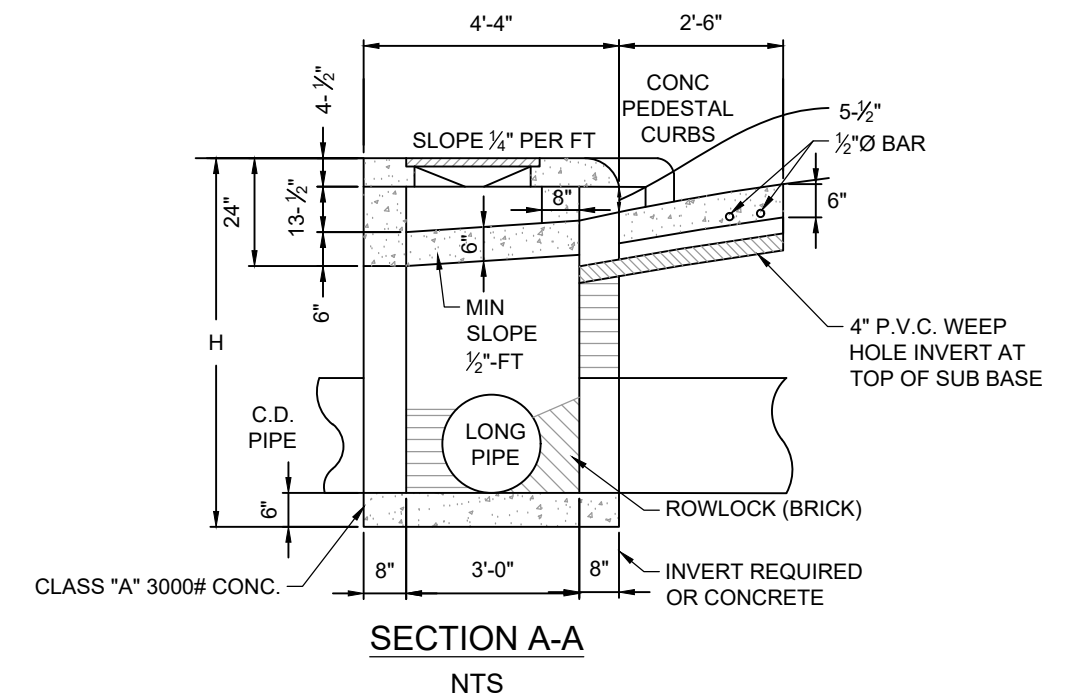
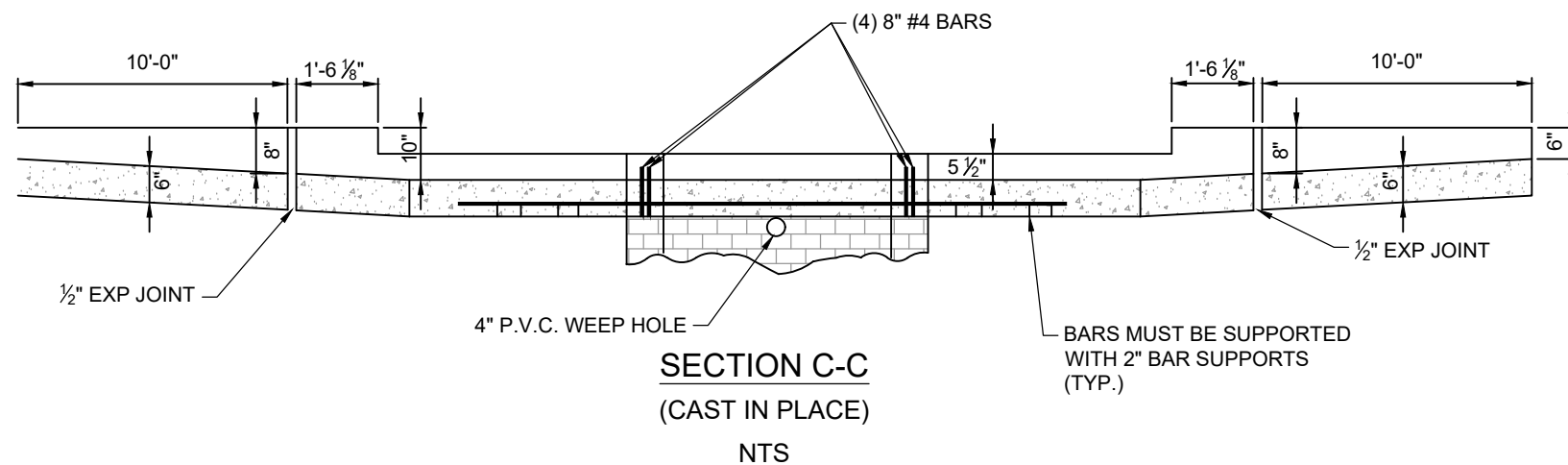
TOP OMITTED FOR CLARITY



NOTES:

1. CONCRETE STRENGTH TEST REQUIRED FOR ALL POURED IN PLACE CONCRETE.
2. FOR ALL CATCH BASINS,  $\frac{1}{2}$ " EXPANSION JOINT MATERIAL SHALL BE PLACED AROUND THE CATCH BASIN WHERE SIDEWALK OR MEDIAN PAVEMENT IS PLACED ADJACENT TO THE CATCH BASIN.
3. IN ANY SUBDIVISION, THE OPTION IS TO USE EITHER ALL ONLINE CATCH BASINS OR ALL ONE FOOT OFFSET CATCH BASINS.
4. ONE FOOT OFFSET REQUIRED IN ALL CUL-DE-SACS.
5. PLASTIC COATED STEEL STEPS ARE REQUIRED IN ALL CATCH BASINS.
6. FOR ADDITIONAL DETAILS SEE STANDARD #104.
7. ALL POURED-IN-PLACE CONC. TO BE CLASS "A" 3000 P.S.I.

| TABLE 502-1                   |             |
|-------------------------------|-------------|
| INSIDE DIAMETER OF PIPE (IN.) | MINIMUM "H" |
| 12-18                         | 4' - 10"    |
| 24                            | 5' - 6"     |
| 30                            | 6' - 2"     |



FULTON COUNTY STANDARD DETAIL 502

CATCH BASIN DOUBLEWING  
ONE FOOT OFFSET (FACE OF CURB)

| DATE | REVISIONS | DATE | REVISIONS |
|------|-----------|------|-----------|
| M/Y  | XXX       | M/Y  | XXX       |
|      |           |      |           |
|      |           |      |           |
|      |           |      |           |

DGS/DRN/CHKD: XXX  
 APPROVED: XXX  
 DATE: XX-X-XX



FULTON COUNTY PUBLIC WORKS  
 141 PRYOR ST. ATLANTA, GA. 30303  
 404-612-7400 FAX: 404-224-0498

DRAWING NO.

502