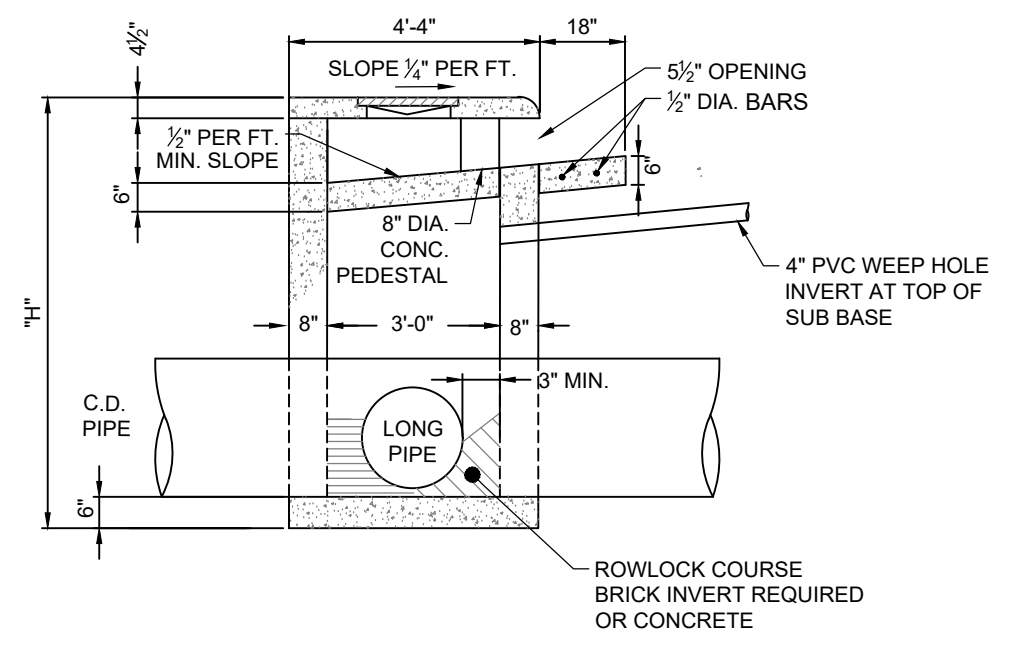


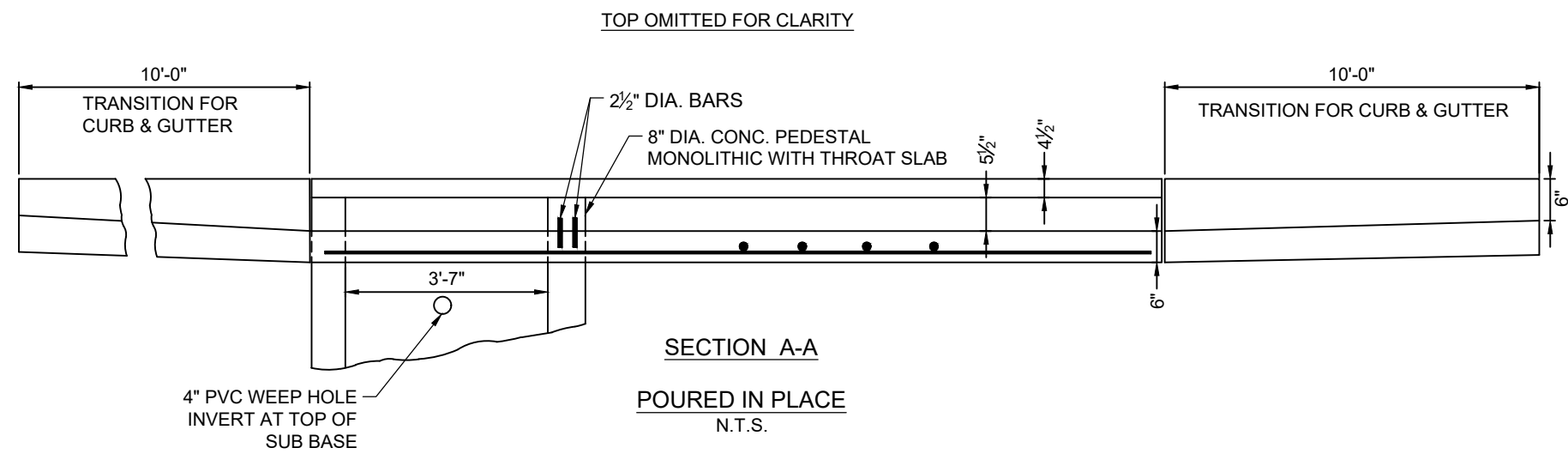
TABLE 504-1

INSIDE PIPE DIAMETER (INCHES)	MINIMUM "H"
18	4' - 10"
24	5' - 6"
30	6' - 2"

- NOTE:
1. FOR ALL CATCH BASINS, 1/2-INCH EXPANSION JOINT MATERIAL SHALL BE PLACED AROUND THE CATCH BASIN WHERE SIDEWALK OR MEDIAN PAVEMENT IS PLACED ADJACENT TO THE CATCH BASIN.
 2. D.O.T. STANDARD #1033D IS ALLOWABLE ALTERNATIVE.
 3. PLASTIC COATED STEEL STEPS ARE REQUIRED IN ALL C.B.
 4. FOR ADDITIONAL DETAILS SEE STANDARD #104.



SECTION B-B
CLASS "A" 3000 PSI CONCRETE
N.T.S.



FULTON COUNTY STANDARD DETAIL 504
SINGLE WING ON-LINE CATCH BASIN (BRICK)

DATE	REVISIONS	DATE	REVISIONS
M/Y	XXX	M/Y	XXX

DGS/DRN/CHKD: XXX
APPROVED: XXX
DATE: XX-X-XX



FULTON COUNTY PUBLIC WORKS
141 PRYOR ST. ATLANTA, GA. 30303
404-612-7400 FAX: 404-224-0498

DRAWING NO.
504

95% SUBMITTAL