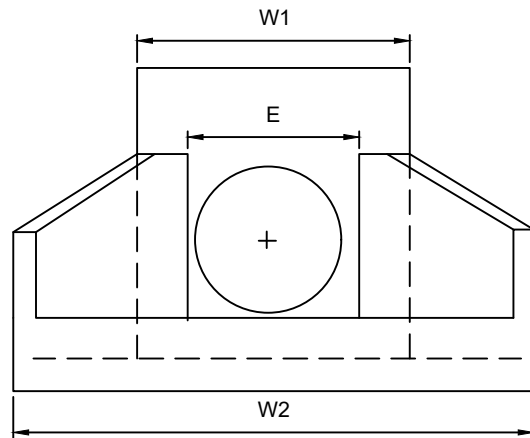
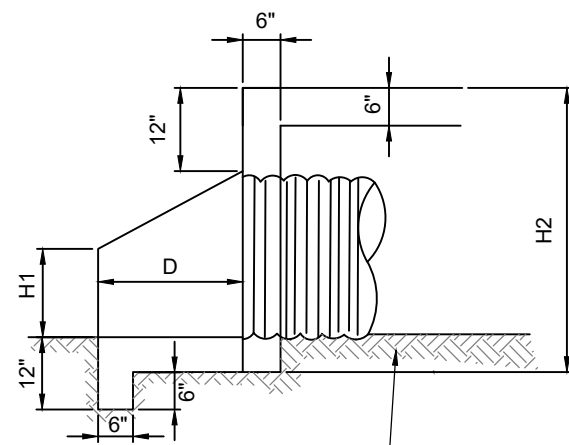


PLAN VIEW

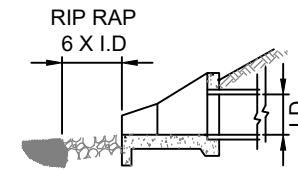


FRONT ELEVATION



SIDE VIEW

SOIL TO BE COMPACTED TO 95% STANDARD DENSITY



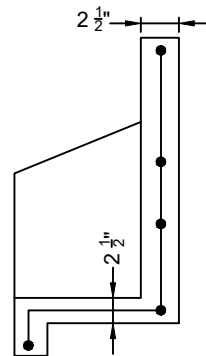
RIP - RAP - DETAIL

NOTES:

1. ALL CONC. SHALL BE 4000 P.S.I.
2. REINFORCEMENT STEEL SHALL BE INTERMEDIATE GRADE.
3. CHAMFER ALL EXPOSED EDGES.
4. ENERGY DISSIPATOR REQ. ON PIPES OVER 30" DIA.
5. IF EXIT VELOCITY >6 F.P.S. RIP RAP TO BE PLACED AT OUTLET, LENGTH TO BE 6xD, WIDTH TO BE 3xD.
6. FOR PIPES LARGER THAN 54" USE FULTON CO. STD. #515 OR G.D.O.T. STD. #1125.
7. AN ALTERNATE DESIGN FOR THE ENERGY DISSIPATOR WOULD BE ACCEPTABLE ONCE APPROVED BY FULTON COUNTY.

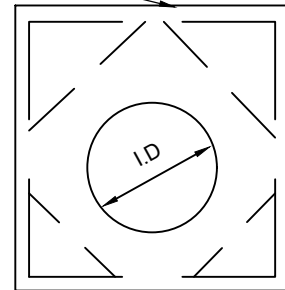
TABLE 514-1 STONE & FILTER MATERIAL: RIP RAP		
VELOCITY	STONE SIZE	FILTER MATERIAL
<6 FT/SEC	10 - 50 LBS.	1.5'
6 TO 8 FT/SEC	20 - 100 LBS.	3"
8 TO 10 FT/SEC	25 - 250 LBS.	4.5"
STONE OR DURABLE MATERIAL WEIGHING 150 LBS/FT ³		

INLET HEADWALL

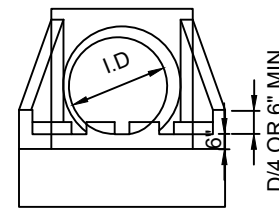


BASE & WALL SECTION

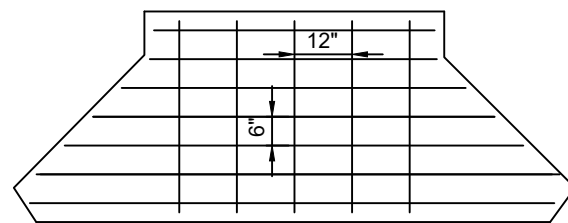
NOTE: HEADWALLS OVER 30" TO HAVE STEEL ON 6" CENTERS EACHWAY (2" CLEARANCE TYP.)



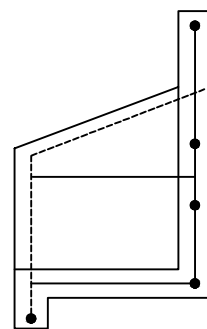
WALL SECTION



FRONT ELEVATION

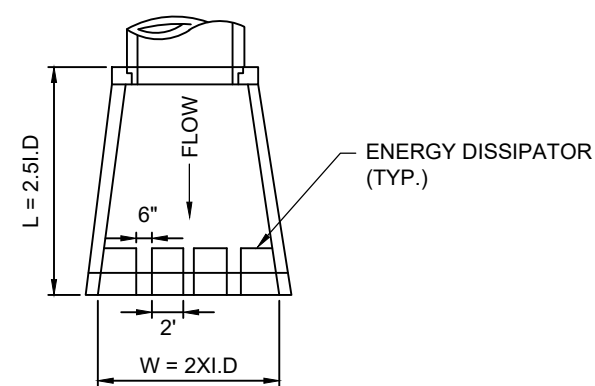


BASE SECTION
N.T.S.



WING SECTION

OUTLET HEADWALL



PLAN VIEW

TABLE 514-2 HEADWALL DIMENSION FOR METAL PIPE*								
INSIDE DIA. OF PIPE	W1	W2	H1	H2	D	E	WT	SQ. FT. IN BASE AREA
18"	3' - 2"	4' - 3"	1' - 3"	3' - 2"	1' - 3"	1' - 9"	1,550	7.34
21", 24"	3" - 8"	5' - 3"	1' - 9"	3' - 8"	1' - 6"	2' - 7"	2,100	9.9
30"	4' - 2"	6' - 5"	2' - 0"	4' - 2"	1' - 10"	2' - 9"	2,850	13.5
36"	4' - 8"	7' - 7"	2' - 4"	4' - 8"	2' - 2"	3' - 3"	3,700	17.65
42", 48"	5' - 8"	10' - 1"	3' - 3"	5' - 8"	2' - 11"	4' - 3"	5,600	28.6
54"	6' - 8"	11' - 11"		6' - 8"	3' - 4"	5' - 3"	7,500	35.6

95% SUBMITTAL

FULTON COUNTY STANDARD DETAIL 514
PRECAST CONCRETE HEADWALL SYSTEMS
(INLET & OUTLET HEADWALLS)

DATE	REVISIONS	DATE	REVISIONS
M/Y	XXX	M/Y	XXX

DGS/DRN/CHKD: XXX
APPROVED: XXX
DATE: XX-X-XX



FULTON COUNTY PUBLIC WORKS
141 PRYOR ST. ATLANTA, GA. 30303
404-612-7400 FAX: 404-224-0498

DRAWING NO.

514