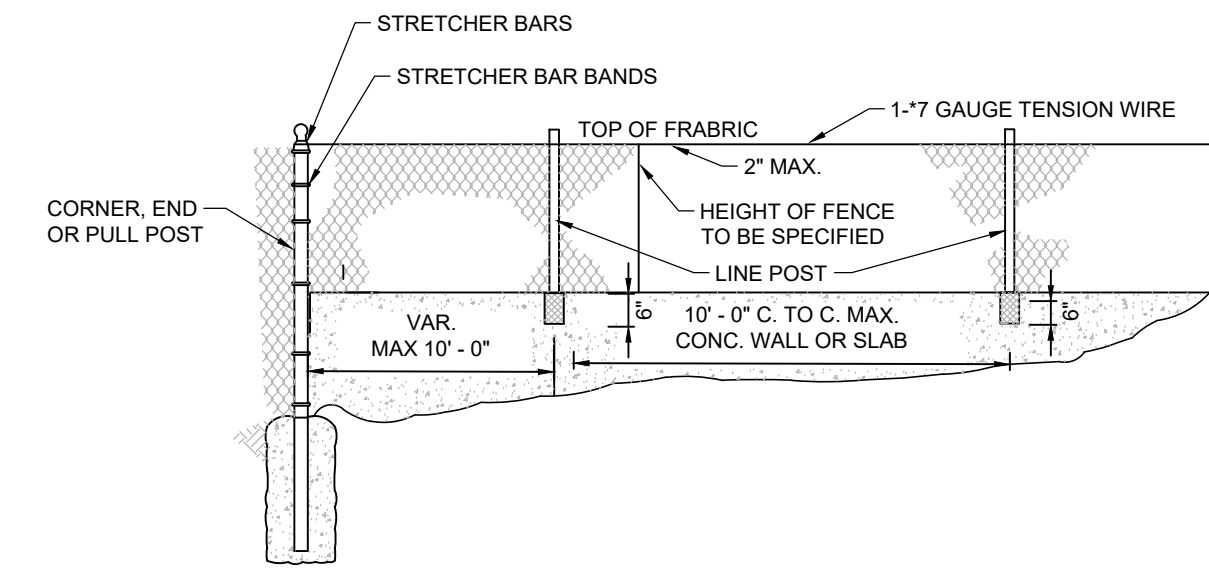
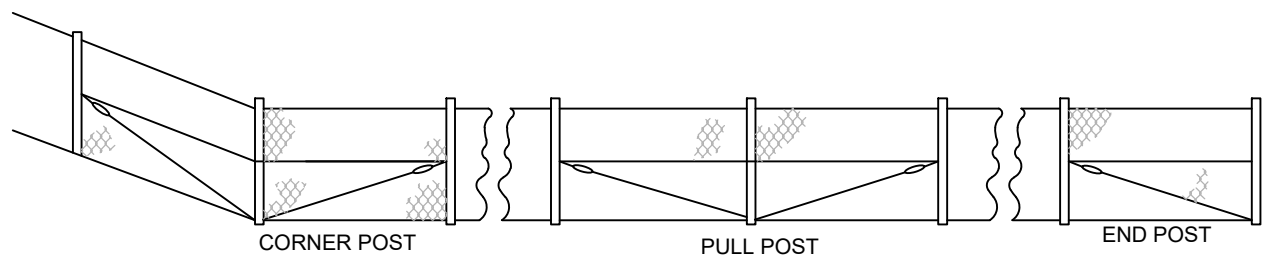


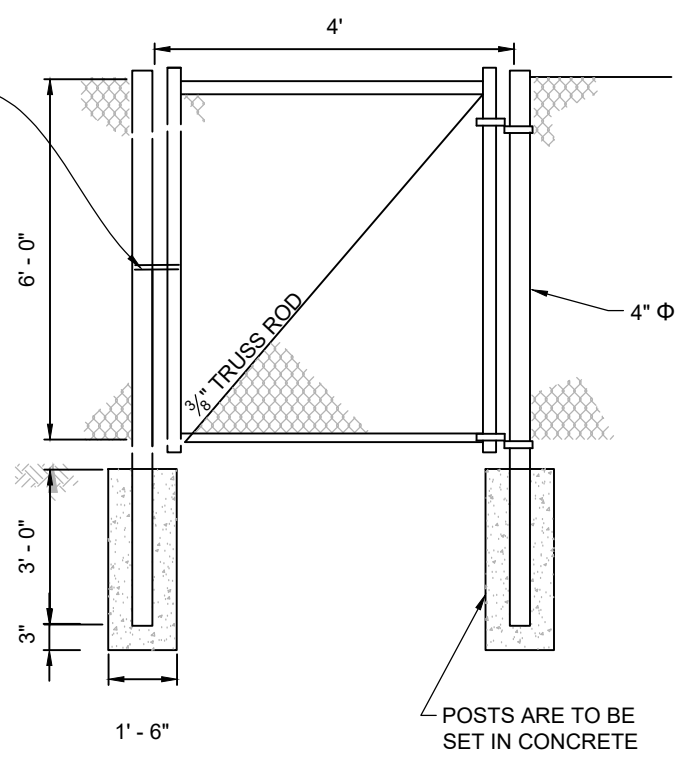
CONCRETE FOOTINGS ARE REQUIRED AT ALL CORNERS, END AND PULL POST, (4,5' MIN. HEIGHT). N.T.S.



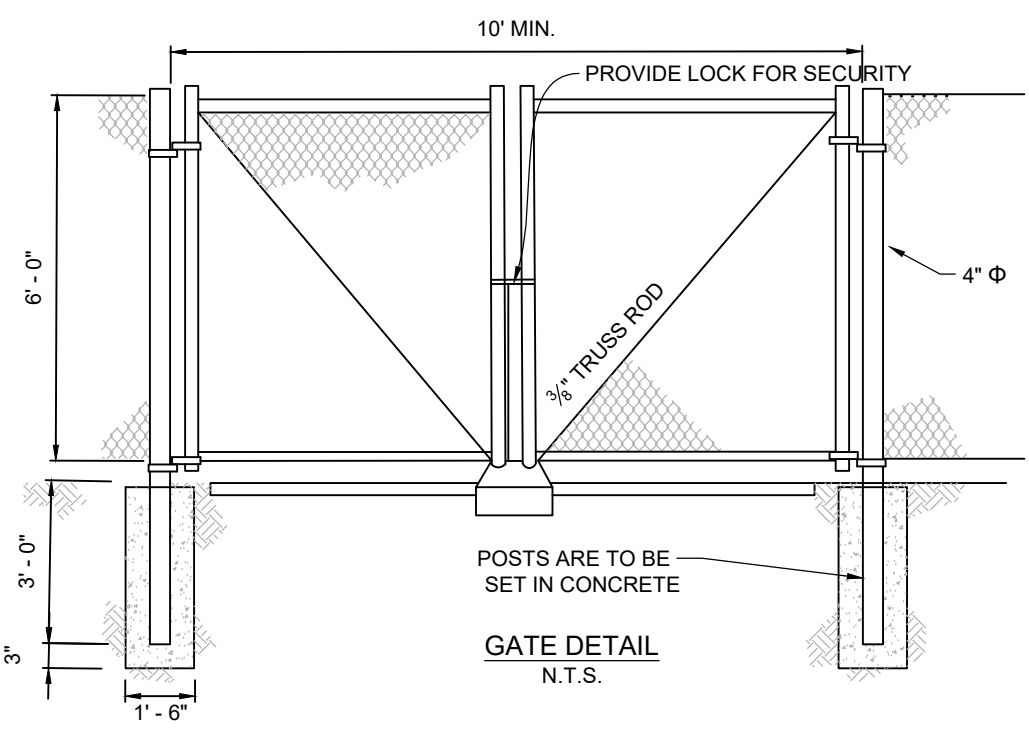
METHOD OF INSTALLATION OVER CONCRETE WALL OR SLAB AND ALSO WHERE HEIGHT OF FENCE CHANGES N.T.S.



METHOD OF BRACING END, CORNER AND PULL POST N.T.S.



WALK GATE DETAIL N.T.S.



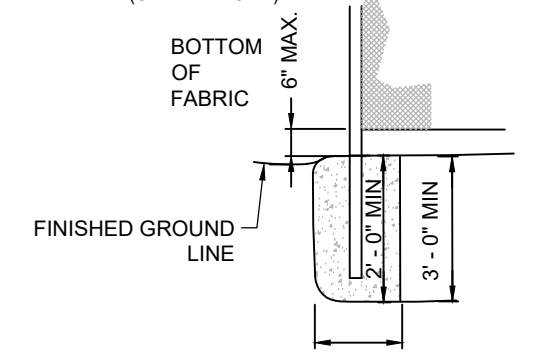
GATE DETAIL N.T.S.

NOTES:

- FABRIC SHALL BE FASTENED TO LINE POST AT INTERVALS NOT GREATER THAN 14".
- TENSION WIRES SHALL BE TIED TO FABRIC WITH 9 GA. WIRE OR 11 GA. HOG RINGS AT 24" C. TO C. MAX SPACINGS.
- WHERE A PROPERTY OWNERS CHAIN LINK WIRE FENCE HAS TO BE REPLACED BY THE DEPARTMENT AS PART OF THE CONSTRUCTION PROJECT, AND THE EXISTING FENCE HAD A TOP RAIL, THEN THE NEW REPLACEMENT FENCE SHALL ALSO HAVE A SIMILAR TYPE RAIL INSTEAD OF A TENSION WIRE AT THE TOP OF THE FENCE.
- HORIZONTAL BRACE RAILS AND TRUSS BRACING SHALL BE REQUIRED AT ALL CORNER, END AND PULL POSTS.
- LINE POST SPECIFICATION IS 2", 20 WT.
- CORNER END AND PULL POST SPECIFICATION IS 2 3/8", 20 WT.
- FENCE FABRIC SPECIFICATION IS 11.5 GAUGE.
- ALL CORNER, END AND PULL POSTS SHALL HAVE CONCRETE FOOTINGS AS SHOWN.
- ALL ALTERNATE DESIGN(S) TO BE APPROVED BY FCPW DIRECTOR.
- 4' WIDE WALK GATE TO BE LOCATED NEAR OUTLET CONTROL STRUCTURE.

*ALTERNATE:

TYPE "C" LINE POSTS OR 2 3/8" Ø TUBE LINE POSTS OR OTHER TYPE LINE POSTS APPROVED BY THE D.O.T. LABORATORY MAY BE DRIVEN TO A MINIMUM DEPTH OF THREE (3) FEET INSTEAD OF CONCRETE FOOTING SHOWN PROVIDING SOIL IS EITHER CLASS I, II, III, OR V SOIL. CONCRETE FOOTING REQUIRED FOR LINE POSTS INSTALLED IN MARSHY OR SWAMPY AREAS (CLASS IV SOILS).



18" DIA FOR END, CORNER AND PULL POST REQUIRED
12" DIA FOR LINE POST (IF CONCRETE FOOTING IS REQUIRED)
FOOTING DETAILS FOR FENCE POSTS N.T.S.

95% SUBMITTAL

FULTON COUNTY STANDARD DETAIL 524
FENCE DETAIL FOR DETENTION PONDS
SHEET 2 OF 2

DATE	REVISIONS	DATE	REVISIONS
M/Y	XXX	M/Y	XXX

DGS/DRN/CHKD: XXX
APPROVED: XXX
DATE: XX-X-XX



FULTON COUNTY PUBLIC WORKS
141 PRYOR ST. ATLANTA, GA. 30303
404-612-7400 FAX: 404-224-0498

DRAWING NO.
524