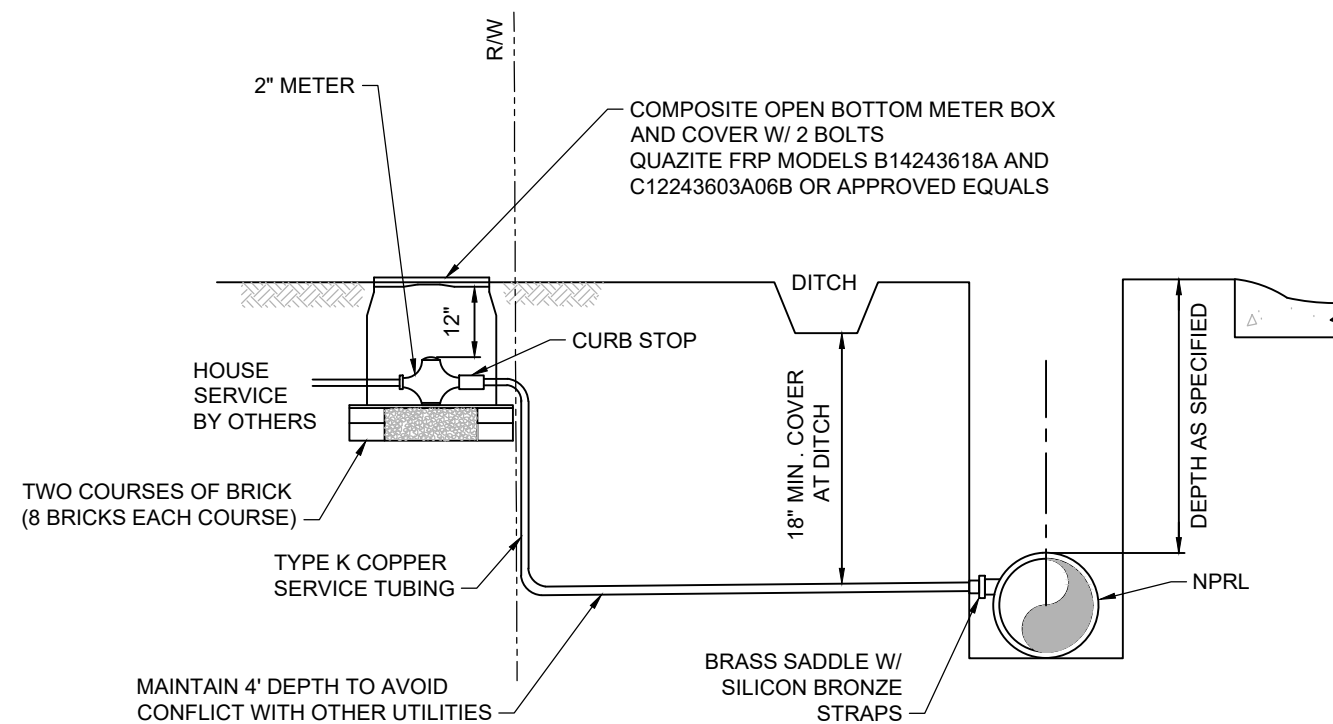
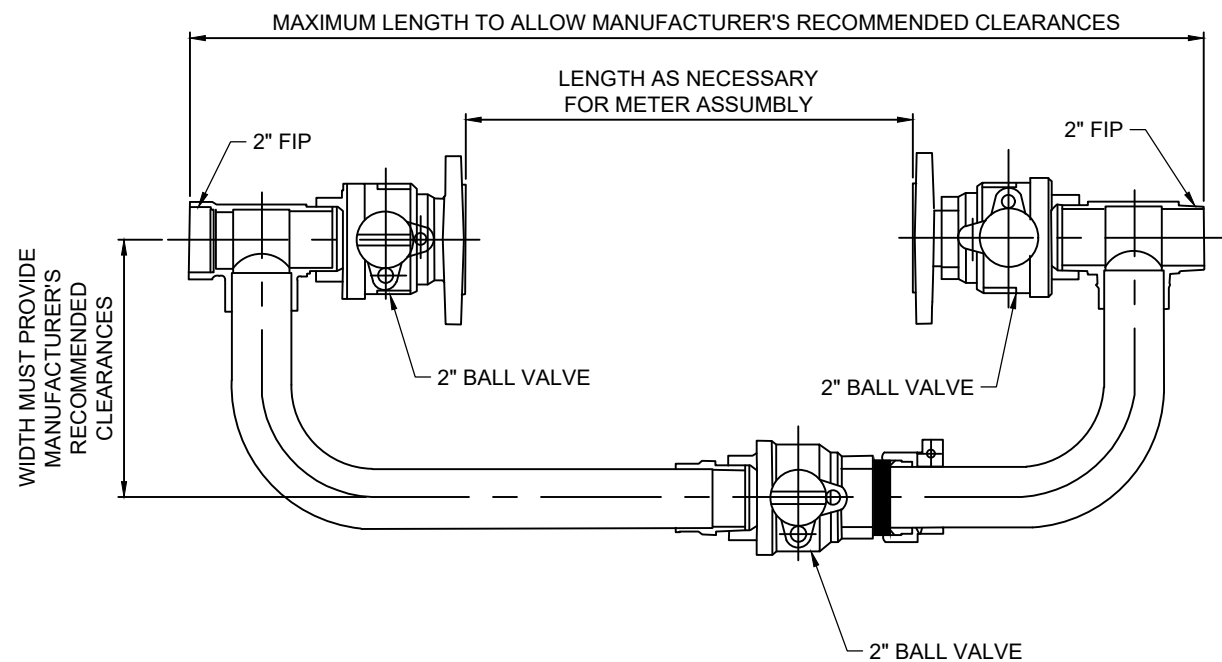


NOTES:

1. SERVICE LINE SHALL BE 2" FROM THE MAIN TO THE METER.
2. USE ALL COMPRESSION GRIP JOINTS.
3. INSTALLATION SHALL ALLOW ADEQUATE ROOM TO REMOVE AND/OR REPAIR METER.
4. METER BOX SHALL BE APPROXIMATELY 24" x 36" x 18" DEEP.
5. TYPE K COPPER SERVICE LINE MUST BE CONTINUOUS FROM METER TO MAIN.
6. SERVICE SHALL HAVE 18" MIN. COVER BETWEEN MAIN AND METER.



METER INSTALLATION ELEVATION DETAIL
N.T.S.



TYPICAL BYPASS DETAIL
N.T.S.

95% SUBMITTAL

FULTON COUNTY STANDARD DETAIL 604
2" RECLAIMED WATER METER INSTALLATION

DATE	REVISIONS	DATE	REVISIONS
M/Y	XXX	M/Y	XXX

DGS/DRN/CHKD: XXX
APPROVED: XXX
DATE: XX-X-XX



FULTON COUNTY PUBLIC WORKS
141 PRYOR ST. ATLANTA, GA. 30303
404-612-7400 FAX: 404-224-0498

DRAWING NO.
604