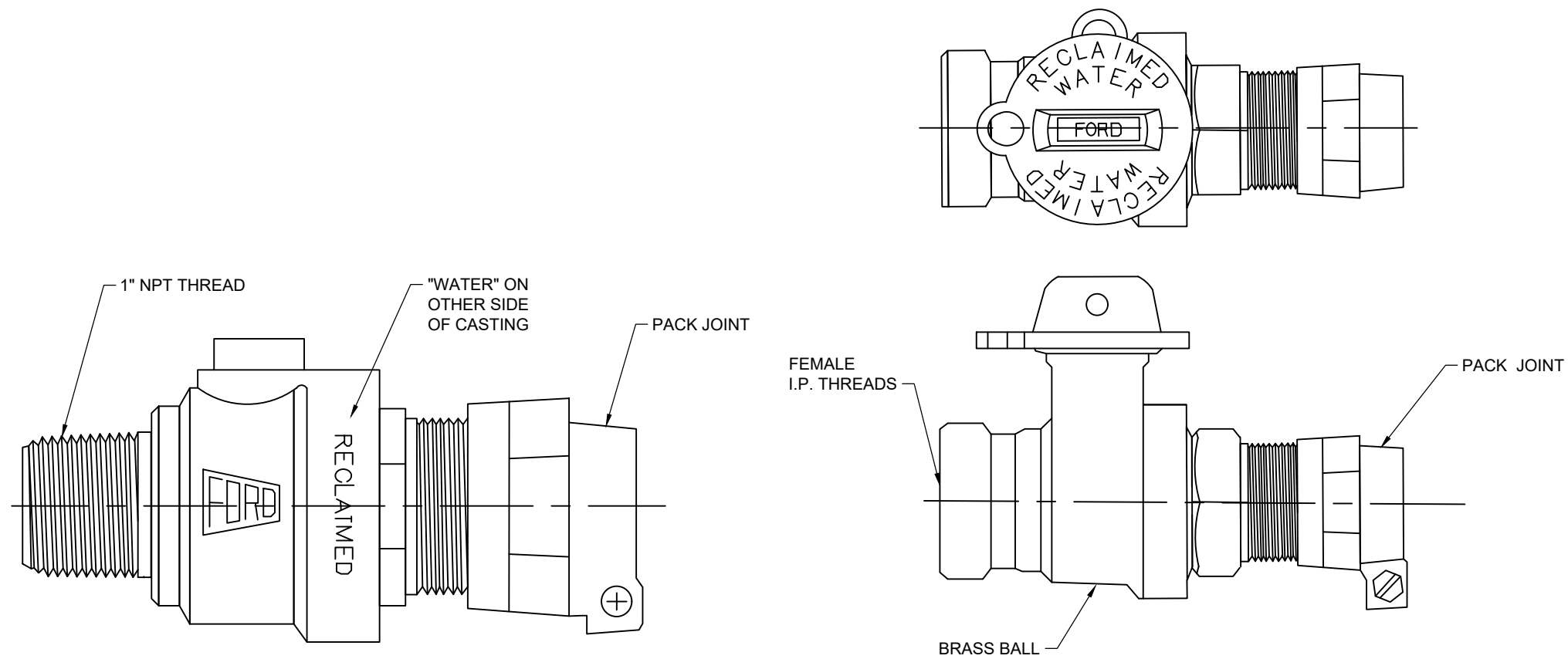


NOTES:

1. ALL FITTINGS TO BE BRASS MEETING AWWA C800 AND ASTM B62.



FULTON COUNTY STANDARD DETAIL 606

BRASS FITTINGS FOR
METER INSTALLATION ON NPRL

DATE	REVISIONS	DATE	REVISIONS
M/Y	XXX	M/Y	XXX

DGS/DRN/CHKD: XXX

APPROVED: XXX

DATE: XX-X-XX



FULTON COUNTY PUBLIC WORKS
141 PRYOR ST. ATLANTA, GA. 30303
404-612-7400 FAX: 404-224-0498

DRAWING NO.

606