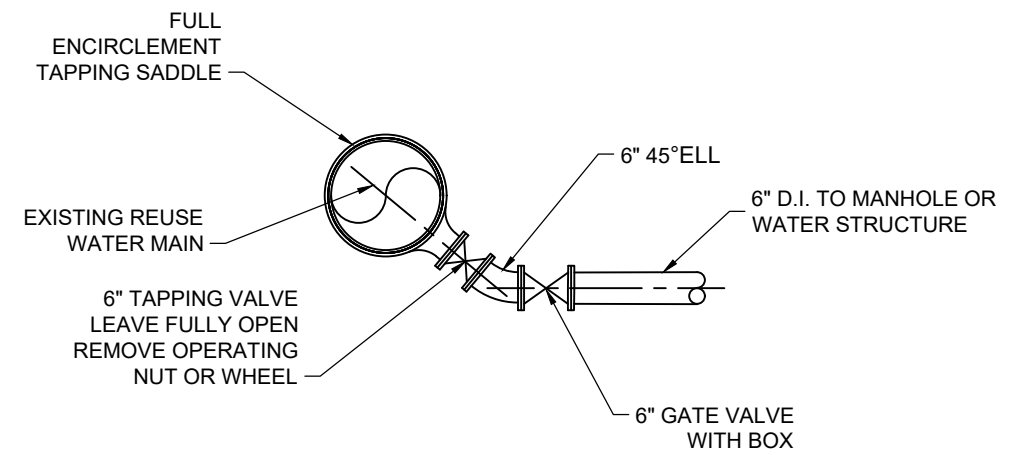


MANHOLE CONNECTION DETAIL



REUSE TAP AND VALVE DETAIL

95% SUBMITTAL

FULTON COUNTY STANDARD DETAIL 613

IN-LINE FLUSH POINT DETAIL

DATE	REVISIONS	DATE	REVISIONS
M/Y	XXX	M/Y	XXX

DGS/DRN/CHKD: XXX

APPROVED: XXX

DATE: XX-X-XX



FULTON COUNTY PUBLIC WORKS
 141 PRYOR ST. ATLANTA, GA. 30303
 404-612-7400 FAX: 404-224-0498

DRAWING NO.

613