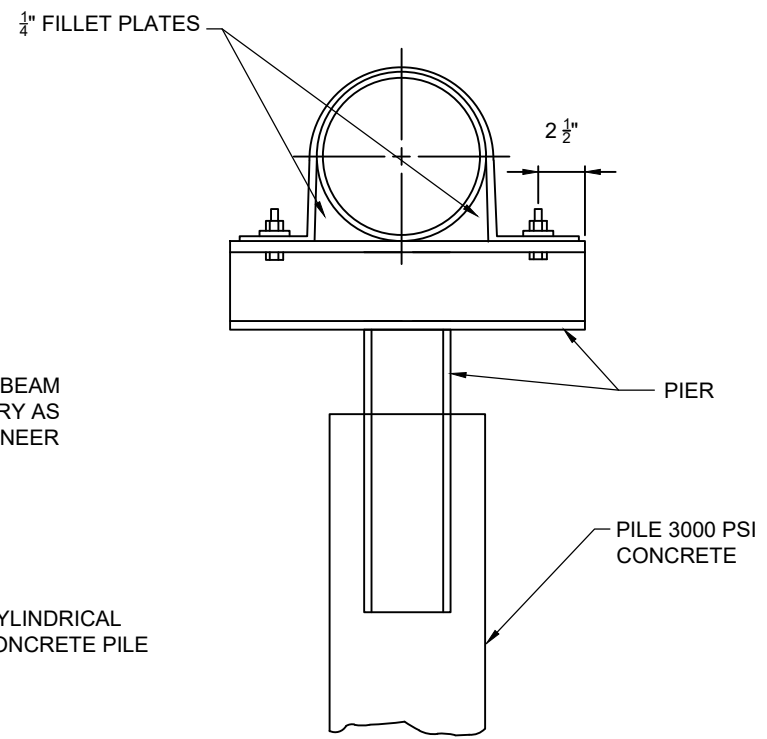
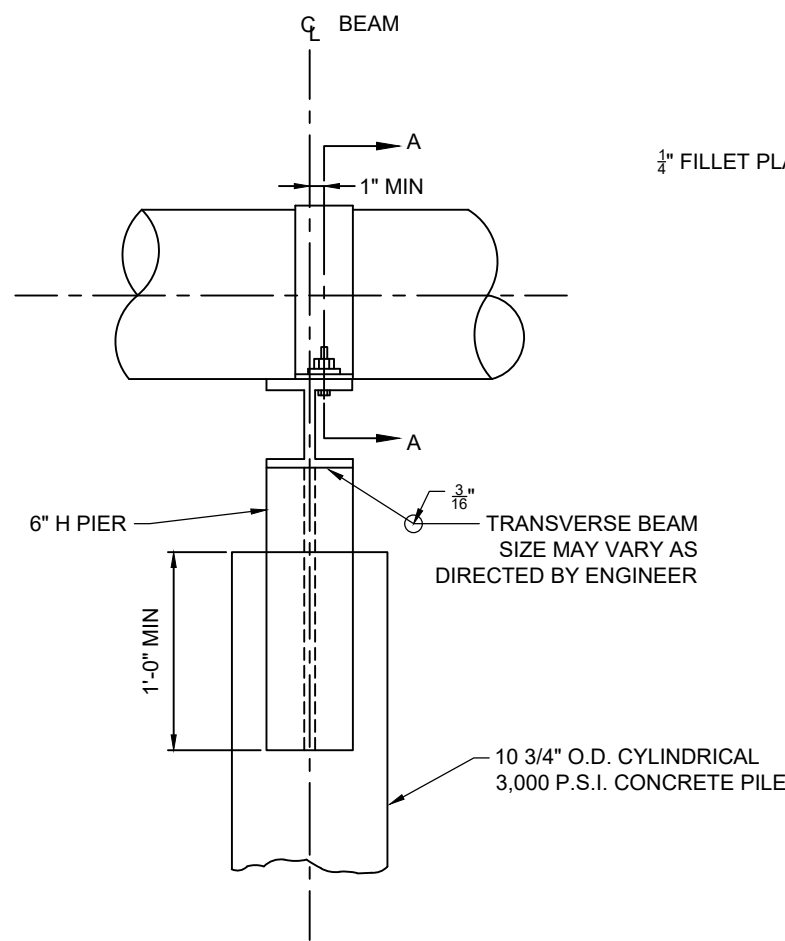
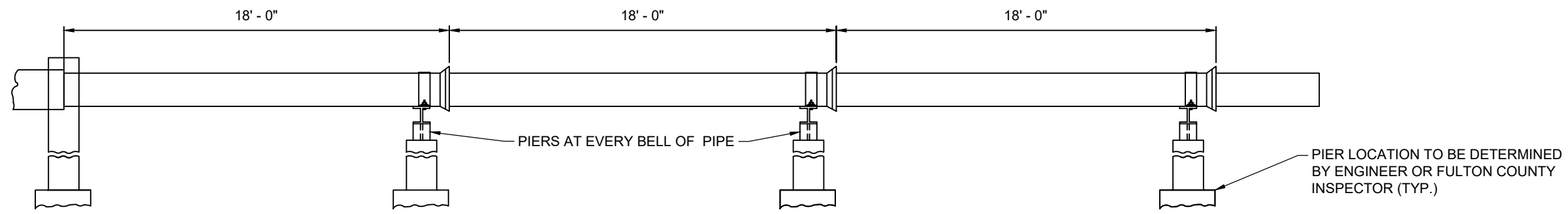


DETAIL OF CLAMP
N.T.S.



SECTION A-A
N.T.S.

- NOTE:
- ENGINEER TO SUBMIT DESIGN.
 - PILE TO BE DRIVEN TO REFUSAL OR 10 TON BEARING MIN., THEN FILLED WITH 3000 P.S.I. CONCRETE. TRANSVERSE BEAM TO BE WELDED TO PIER BEFORE SETTING CONCRETE.



DETAIL OF OPTIONAL STEEL PIER
N.T.S.

95% SUBMITTAL

FULTON COUNTY STANDARD DETAIL 706
DETAIL OF OPTIONAL STEEL PIER

DATE	REVISIONS	DATE	REVISIONS
M/Y	XXX	M/Y	XXX

DGS/DRN/CHKD: XXX
APPROVED: XXX
DATE: XX-X-XX



FULTON COUNTY PUBLIC WORKS
141 PRYOR ST. ATLANTA, GA. 30303
404-612-7400 FAX: 404-224-0498

DRAWING NO.
706