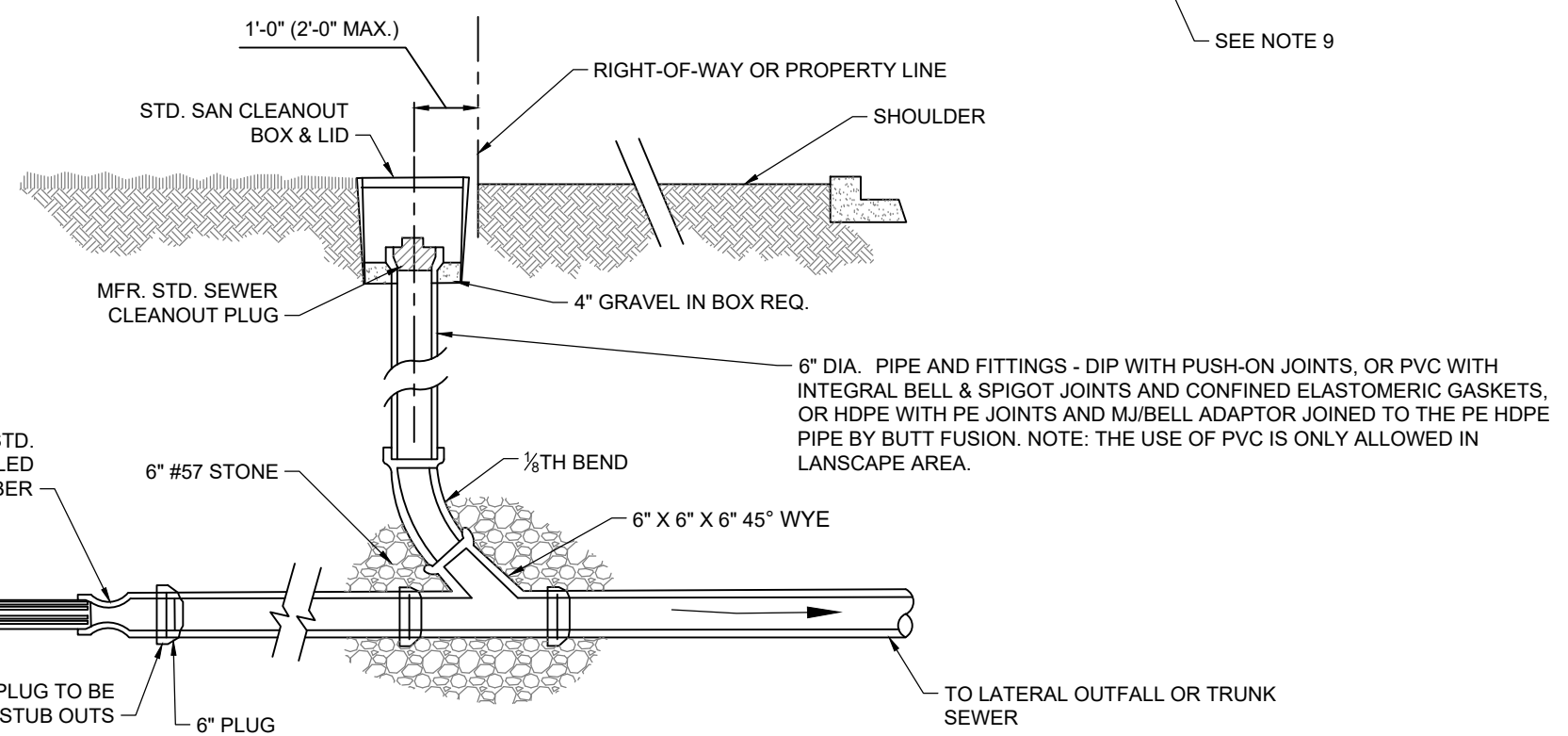
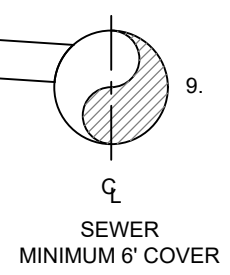


NOTES:

1. CLEANOUTS TO BE INSTALLED BY SUBDIVISION DEVELOPER.
2. MAINTAIN MATERIAL FOR STANDARD SEWER CLEANOUT PLUG. PLUGS TO BE PVC FOR PVC LATERALS, HDPE FOR HDPE LATERALS, AND BRASS FOR D.I. LATERAL.
3. CLEANOUT BOX AND LID INSTALLED IN LANDSCAPE AREAS TO BE OLDCASTLE GREEN FLUSH HDPE 13" X 24" LIGHT DUTY 1324 CLEANOUT AND GREEN FLUSH SOLID COVER WITH FULTON COUNTY LOGO AND "SEWER CLEANOUT" ON THE COVER OR APPROVED EQUIVALENT.
4. CLEANOUT BOX AND LID INSTALLED IN RESIDENTIAL DRIVEWAYS AND ALL SIDEWALKS TO BE EJ GROUP, INC. 1621Z 1621A ASSEMBLY PRODUCT NUMBER 00162121A01 OR APPROVED EQUIVALENT.
5. CLEANOUT BOX AND LID INSTALLED WITHIN COMMERCIAL PAVEMENT OR WITHIN THE STREET PAVEMENT TO BE US FOUNDRY 7635 VALVE BOX AND ACCESS COVER WITH COVER TYPE FU OR APPROVED EQUIVALENT.
6. IF THE RISER IS GREATER THAN 6' - 0" THE JOINT WILL BE ENCASED IN 6" OF 1:3.5 CONCRETE.
7. MAINTAIN MATERIAL: USE PVC LATERALS WITH PVC MAINS, USE HDPE LATERALS WITH HDPE MAINS, AND USE D.I. LATERALS WITH D.I. MAINS.
8. INSTALL 4" x 4" POST NEXT TO ALL CLEANOUTS. POST TO BE MIN. 12' LONG FOR PLUMBER TO DETERMINE DEPTH OF CLEANOUT. USE 16' POST FOR DEEPER LATERALS.
9. WHERE SERVICE LINE CROSSES STATE HWY R/W, DI PIPE AND FITTINGS SHALL BE MJ JOINTS, HDPE PIPE AND FITTINGS SHALL BE PROVIDED WITH BELL/MJ ADAPTOR JOINED TO THE PLAIN END BY BUTT FUSION. TRENCHES SHALL BE BACKFILLED WITH CRUSHED STONE.



CLEANOUT DETAIL
N.T.S.



95% SUBMITTAL

FULTON COUNTY STANDARD DETAIL 711
**SEWER LATERAL INSTALLATION
DETAILS FOR CURBED STREETS**

DATE	REVISIONS	DATE	REVISIONS
M/Y	XXX	M/Y	XXX

DGS/DRN/CHKD: XXX
APPROVED: XXX
DATE: XX-X-XX



FULTON COUNTY PUBLIC WORKS
141 PRYOR ST. ATLANTA, GA. 30303
404-612-7400 FAX: 404-224-0498

DRAWING NO.
711