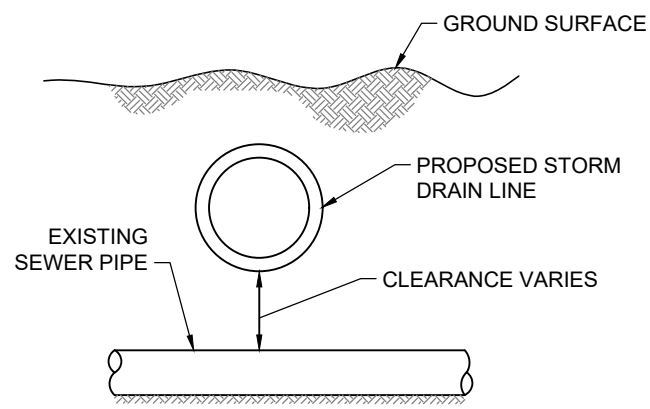
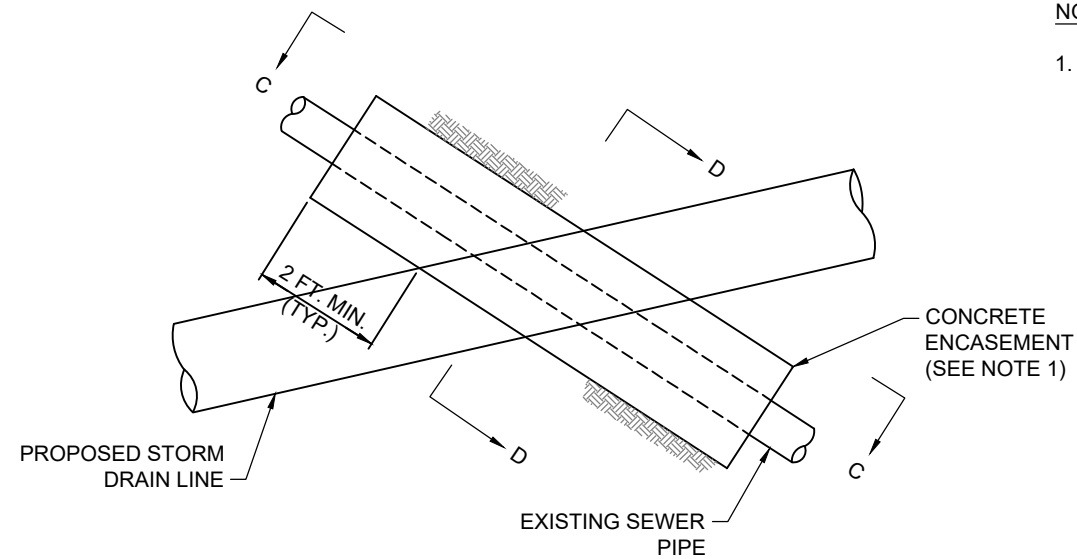


PLAN



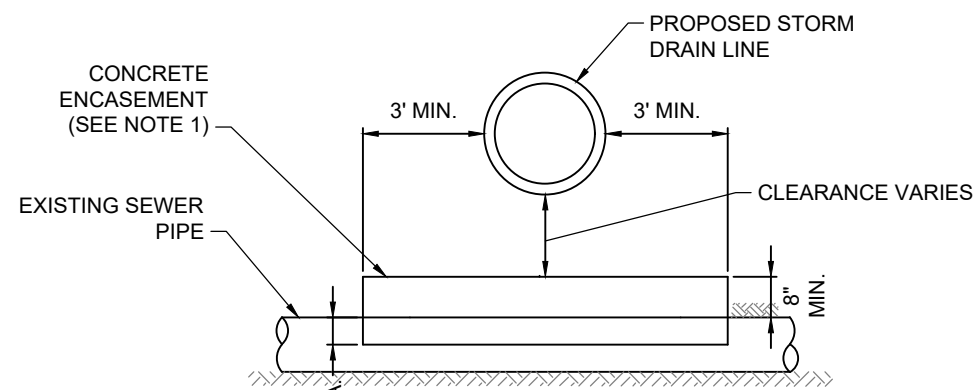
SECTION A - A



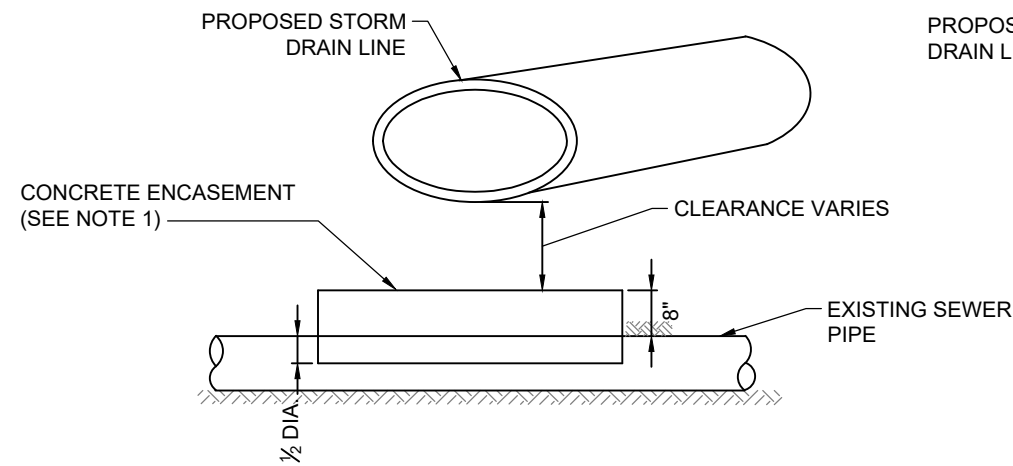
PLAN

NOTES:

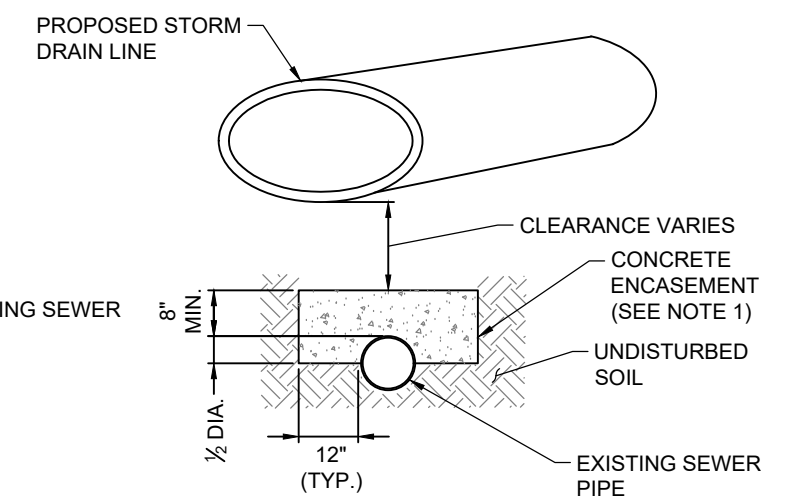
1. FOR ALL EXISTING SEWER PIPES, IF CLEARANCE BETWEEN THE STORM AND SEWER IS LESS THAN, OR EQUAL TO, 24 INCHES, THE EXISTING SEWER PIPE SHALL BE PROTECTED BY CONCRETE ENCASEMENT.



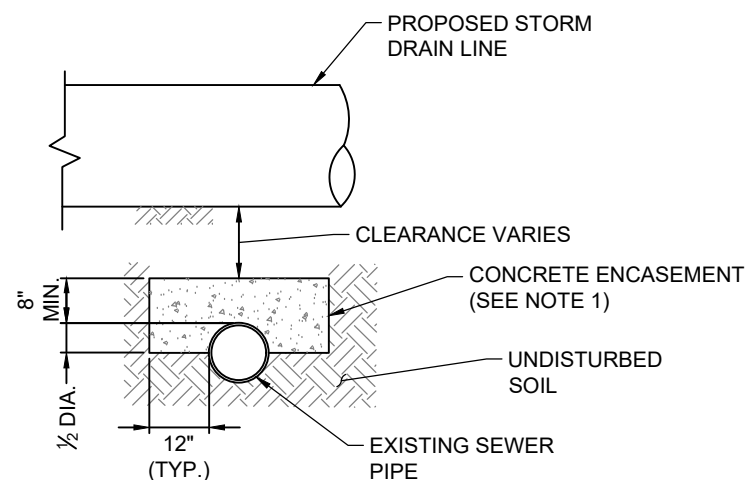
SECTION A - A WITH CONCRETE ENCASEMENT



SECTION C - C



SECTION D - D



SECTION B - B WITH CONCRETE ENCASEMENT

FULTON COUNTY STANDARD DETAIL 601

STORM DRAIN LINE CROSSING ABOVE EXISTING SANITARY SEWER PIPE

DATE	REVISIONS	DATE	REVISIONS
M/Y	XXX	M/Y	XXX

DGS/DRN/CHKD: XXX
 APPROVED: XXX
 DATE: XX-X-XX



FULTON COUNTY PUBLIC WORKS
 141 PRYOR ST. ATLANTA, GA. 30303
 404-612-7400 FAX: 404-224-0498

DRAWING NO.

712