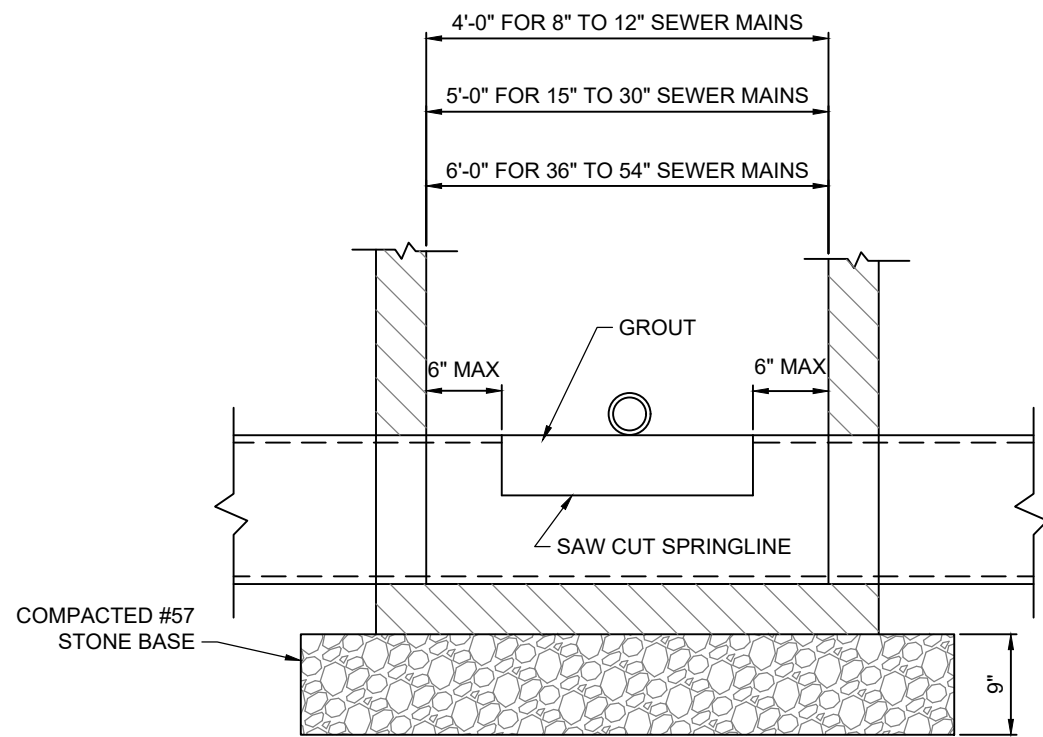
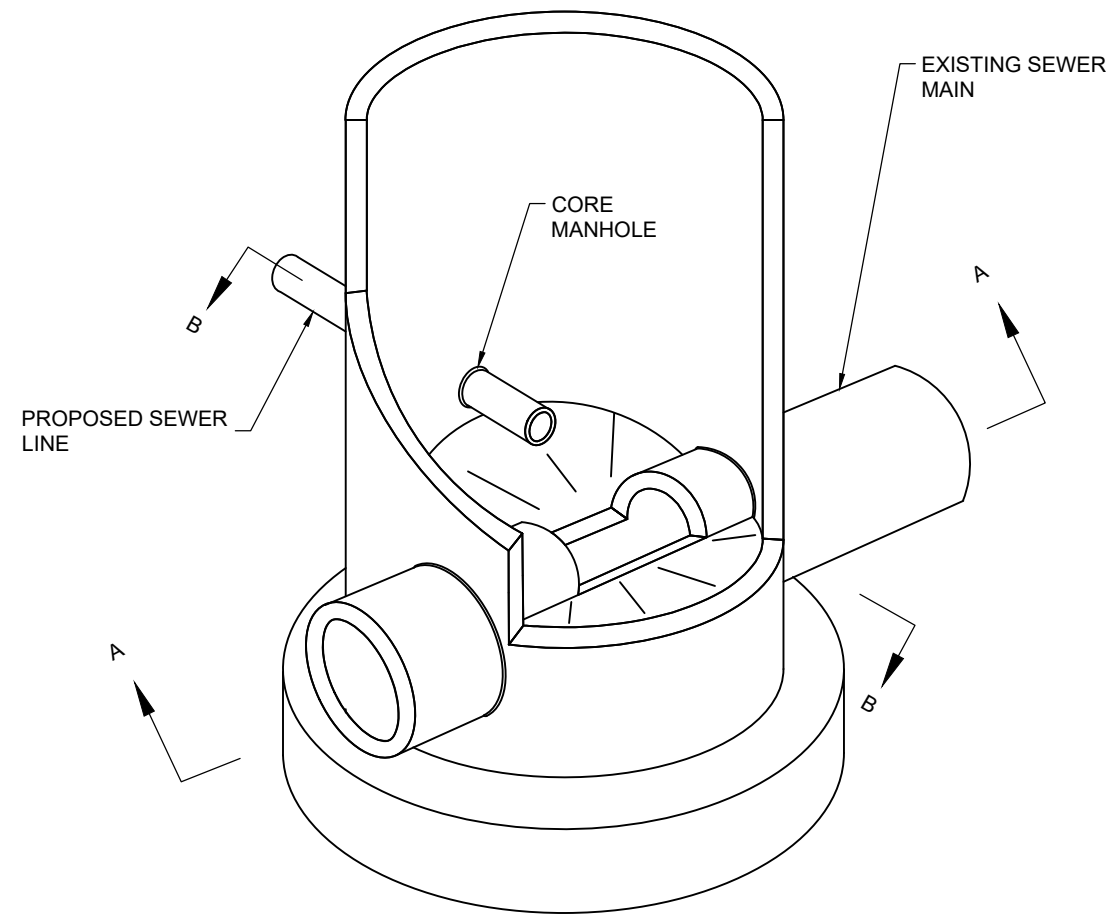


CROSS SECTION AT EXISTING SEWER MAIN (B-B)



SECTION ALONG CENTERLINE OF EXISTING SEWER MAIN (A-A)



NOTES:

1. FLOW SHALL BE MAINTAINED DURING DOGHOUSE MANHOLE CONSTRUCTION.
2. MANHOLE PAD TO REST UPON A MINIMUM OF 9" COMPACTED #57 STONE BASE.
3. REFER TO STANDARD DETAILS 113, 114A THROUGH F, AND 115 FOR ADDITIONAL DETAILS OF MANHOLE.
4. A FORMED INVERT IS REQUIRED FROM THE NEW SERVICE TO THE EXISTING PIPE. REFER TO STANDARD DETAILS 113, 114, AND 115 FOR DETAILS OF THE INVERT.

95% SUBMITTAL

FULTON COUNTY STANDARD DETAIL 713

DOGHOUSE MANHOLE DETAIL

DATE	REVISIONS	DATE	REVISIONS
M/Y	XXX	M/Y	XXX

DGS/DRN/CHKD: XXX

APPROVED: XXX

DATE: XX-X-XX



FULTON COUNTY PUBLIC WORKS
141 PRYOR ST. ATLANTA, GA. 30303
404-612-7400 FAX: 404-224-0498

DRAWING NO.

713