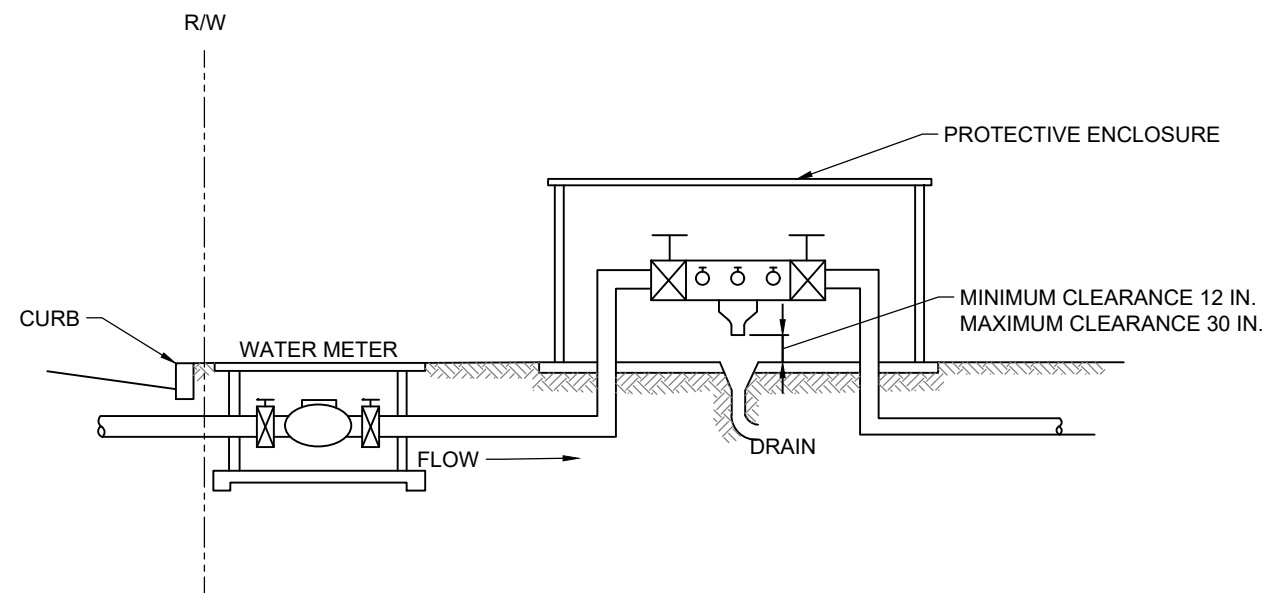
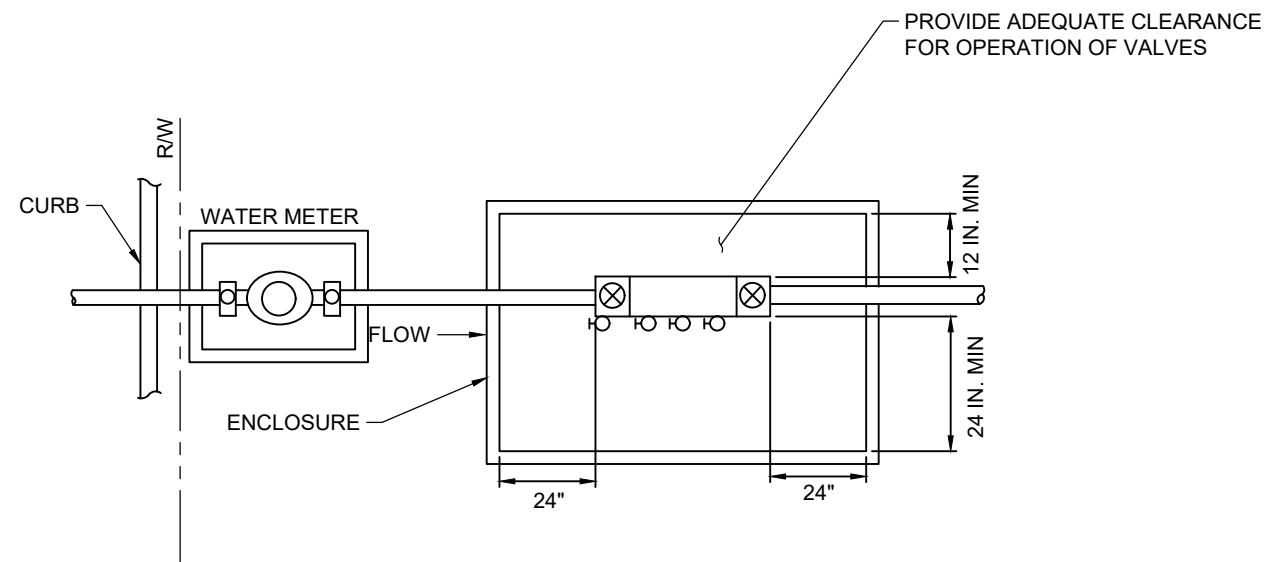


NOTES:

1. CHOICE OF THE TYPE OF BACKFLOW PREVENTION ASSEMBLY, I.E. REDUCED PRESSURE PRINCIPLE (RPBA) VS DOUBLE CHECK VALVE ASSEMBLY (DCVA), WILL BE BASED ON THE DEGREE OF HAZARD AS EVALUATED BY FULTON COUNTY PUBLIC WORKS.
2. THE DCVA SHOULD BE INSTALLED WITH ADEQUATE SPACE TO FACILITATE MAINTENANCE AND TESTING AND SHOULD HAVE FREE ACCESS WITHOUT THE USE OF PLATFORMS, LADDERS, OR LIFTS.
3. THE DCVA SHOULD NOT BE INSTALLED BELOW GROUND LEVEL UNLESS PROVIDED WITH ADEQUATE DRAINAGE TO MAINTAIN A DRY LOCATION AND A MEANS OF DISCHARGING ANY WATER THAT MAY COLLECT WITHIN THE VAULT. DO NOT INSTALL ASSEMBLIES IN LOCATIONS THAT ARE SUSCEPTIBLE TO FLOODING.
4. ALL DCVAS SHALL BE INSTALLED IN A HORIZONTAL POSITION UNLESS OTHERWISE RECOMMENDED BY THE MANUFACTURER AND/OR FULTON COUNTY PUBLIC WORKS.
5. DCVA MUST BE PROTECTED FROM FREEZING TEMPERATURES. FOR TEMPERATURES OF 100 DEGREES FAHRENHEIT (43 DEGREES CELSIUS) OR ABOVE, CONSULT MANUFACTURER'S LITERATURE FOR RECOMMENDATIONS.



TYPICAL INSTALLATION PROFILE
N.T.S.



TYPICAL INSTALLATION - PLAN VIEW
N.T.S.

FULTON COUNTY STANDARD DETAIL 810
DOUBLE CHECK VALVE ASSEMBLY

DATE	REVISIONS	DATE	REVISIONS
M/Y	XXX	M/Y	XXX

DGS/DRN/CHKD: XXX
APPROVED: XXX
DATE: XX-X-XX



FULTON COUNTY PUBLIC WORKS
141 PRYOR ST. ATLANTA, GA. 30303
404-612-7400 FAX: 404-224-0498

DRAWING NO.
810